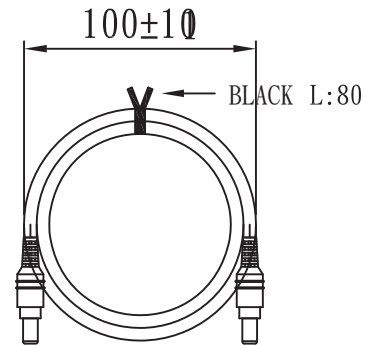


A	CABLE COLOR	B
1	BLACK & BLACK+WHITE	1
2	BLACK	2



BOM :

	SPECIFICATION		
1	CABLE: UL2468 #22*2F JACKET:BLACK & BLACK+WHITE OD:1.8*1.8	1pcs	ROHS
2	CONN: DC PLUG 5.5*2.5 L:21.5 P/N:5525C215-3S00-L3	2pcs	ROHS
3	OUTMOLD: PVC 45P BLACK MODEL NO.: GH-044	7g	ROHS
4			
5			
6			

**Se** Seconn International Enterprise Co., Ltd.

TOLERANCES			PROJECTION	TITLE			
AS DRAWING				DC Plug to Plug 5.5X2.5mm Cable 3000mm Length			
			UNIT				
			mm				
DRAWN	WU	DATE	2019/08/20	PART NO.	SC-S-ANG014		
SCALE	FREE	SIZE	A4	SHEET	1/1	REV	A