



GLOBE FAN

GLOBEFAN TECHNOLOGY CO., LTD.

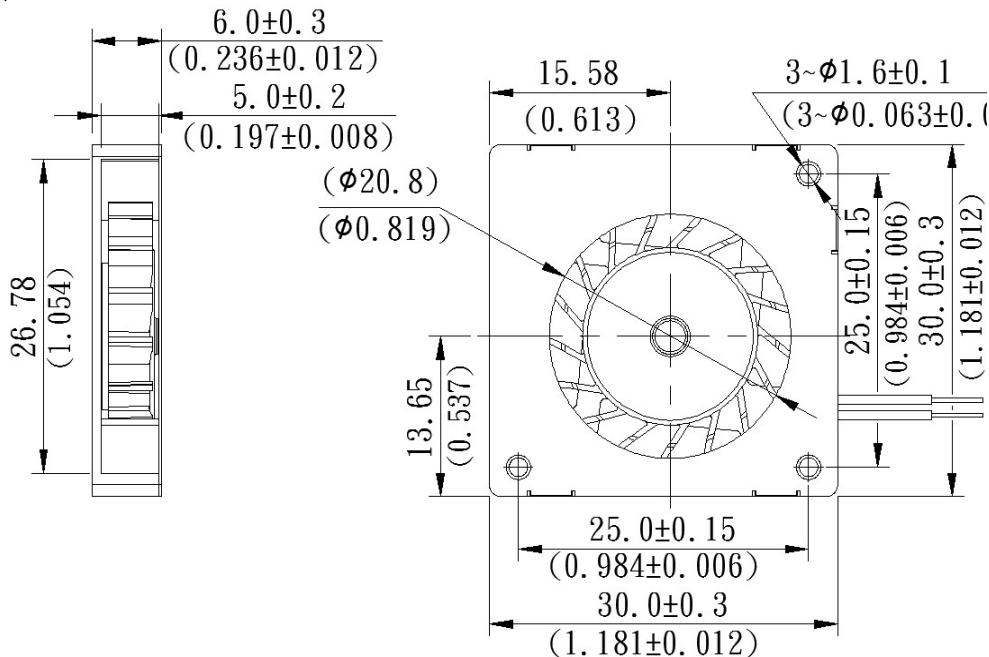
No. 28, 3 Lane Zhongxinjin Road, Jin Industry District Shoei Koou Village,

Da Laang Town, Dungguan City, Guangdong Province, China

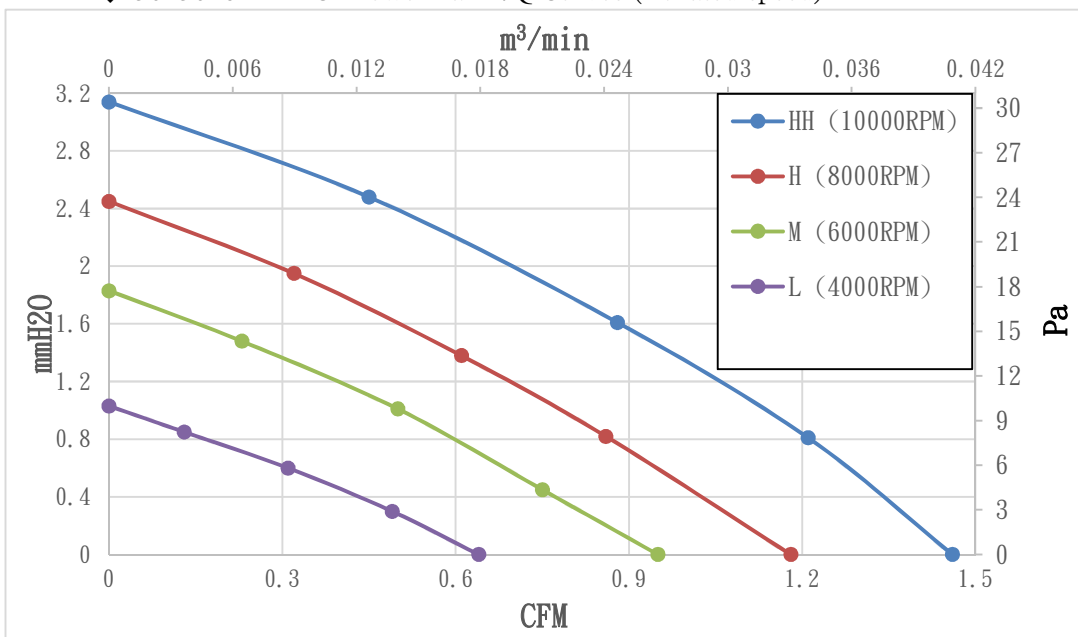
Tel : +86 769 83182898~9

Fax : +86 769 83182897

◆ DIMENSIONS DRAWING



◆ 30x30x6mm DC Blower Fan P/Q Curves (At rated speed)



* BEARING TYPE

- Sleeve bearing

* Electrical Function

- PWM (Pulse Width Modulation)

- Frequency Generator Output Signal

- RD (Lock Detection) Output Signal

* Material

Impeller: Plastic (LCP E130i)

Frame : Plastic (LCP E130i)

* Lead wires

UL3302 32AWG or Equivalent

Red or Yellow Wire Positive (+)

Black Wire Negative (-)

Green Wire Signal (FG)

Blue Wire PWM Control Signal

* Weight : 3.6g (0.13 oz)

MODEL	Operating Voltage Range	Rated Voltage	Rated Current	Rated Input Power	Speed	Maximum Air Flow		Maximum Air Pressure		Noise
Part No.	VDC	VDC	Amp	Watts	R.P.M	m³/min	CFM	mmH₂O	Pa	dB(A)
TB0LS030605HH	2.3V ~ 5.5V	5	0.40	2.0	10000±10%	0.04	1.46	3.14	30.79	29.2
TB0LS030605H	2.5V ~ 5.5V	5	0.30	1.5	8000±10%	0.03	1.18	2.45	24.03	24.5
TB0LS030605M	3.0V ~ 5.5V	5	0.20	1.0	6000±10%	0.03	0.95	1.83	17.95	19.0
TB0LS030605L	4.0V ~ 5.5V	5	0.15	0.8	4000±10%	0.02	0.64	1.03	10.10	15.2

* Function type is optional.

* The max. air flow and speed are measured in free air; max. air pressure is measured at close to zero air flow.

* Noise is measured in anechoic chamber in free air, one meter from intake side.

* All readings are typical values at rated voltage.

* Specifications are subject to change without notice.