

Mobile Point-of-Care Terminal

POCm Series

Preliminary

POCm-W22C-ULT3

22" Medical Panel PC with 6th Generation Intel® mobile ULT Core™ i7/i5/Celeron® processor

POCm-W24C-ULT3

24" Medical Panel PC with 6th Generation Intel® mobile ULT Core™ i7/i5/Celeron® processor

Features

- 22" and 24" FHD fanless panel PC
- Intel® Celeron®, Core™ i5/i7 Skylake processor
- PCAP touch allows multi-touch, multi-layer gloves and water-on-screen operation
- Anti-bacteria housing with IP65 front bezel and IP32 rear cover protection
- Three hot-swappable batteries with a total runtime of 8 hours is ideal for non-powered medical carts



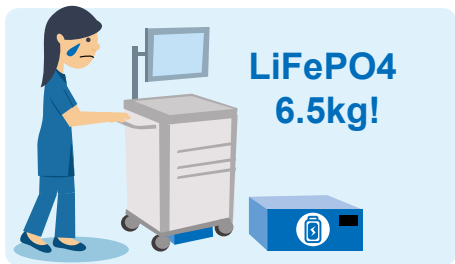
Key Features

POCm series medical panel PC features Intel® Core™ i7/ i5/Celeron® processor. Three hot-swappable batteries with optional battery charger design and a total runtime of 8 hours is ideal for non-powered medical carts.



Lightweight Design

Traditionally, the battery of working station is bulky and occupies space. The hot-swappable batteries makes POCm series an ideal medical cart computer for decreasing the total weight up to 5 kg.



V.S



Highly Integration

POCm series product is a highly integrated PPC. When building a mobile working station, the easy installation steps prevent you from facing the trouble of integrating different components and messy cabling.



Cost Effective

The typical price range of nursing cart battery is more than USD 600 (after service included). Our anti-bacteria battery saves more than USD 400 cost. Charging dock design meets the need of medical context and relieves the waste of time and efforts going back and forth between nursing station and ward.



1

ODM Reference

2

Mobile Solutions

3

Automation Panel Solutions

4

Healthcare Solution

5

Optional Peripherals

Specifications

Model		POCm-W22C-ULT3	POCm-W24C-ULT3
LCD Specifications	LCD Display	21.5" (16:9)	23.8"
	Max Resolution	1920 (W) x 1080 (H)	1920 (W) x 1080 (H)
	Brightness (cd/m ²)	250	250
	Contrast Ratio	1000:1	1000:1
	LCD Color	16.7M colors (RGB 6-bit)	16.7M colors (RGB 6-bit)
	Pixel Pitch (mm)	0.24825 (H) x 0.24825 (V)	0.2745 (H) x 0.2745 (V)
	Viewing Angle (H-V)	170°/160°	178°(H) / 178°(V)
	Backlight MTBF (hrs)	30000 (LED backlight)	30000 (LED backlight)
Touch	Touchscreen	Projected capacitive type with 10-point multi-touch	
	Surface Hardness	6H	
System	CPU Support	6th Generation Intel® mobile ULT Core™ i7-6600U / Core™ i5-6300U and /Celeron® 3855U	
	RAM	Two 260-pin 2133/1866 MHz dual-channel DDR4 non-ECC unbuffered SO-DIMMs (system max. 32GB)	
	LAN Controller	2 x Intel® i211	
	I/O Port	Bottom I/O 1 x DC Jack 2 x HDMI out 2 x GbE LAN port 2 x RS232/422/485 4 x USB 3.0 port 1 x RJ-11 for barcode module	Other 2 x USB 2.0 port (side) 1 x Audio out (side) + 1 x Mic in (side) 1 x Digital Mic (front, bottom)
	Storage	1 x 2.5" Accessible SATA HDD bay 2 x M-key M.2 2242/60/80 (PCIe+SATA) with RAID	
	Audio	2 x 3W Speaker	
	Webcam & Microphone	5-megapixel CMOS front-facing camera with auto-focus and digital microphone	
	Expansion Interface	1 x Full-size/half-size PCIe Mini (PCIe+USB)	
	LED Indicator	1 x RFID indicator 3 x Battery indicator (Color : Blue/Orange) (Location: RFID)	
	Other Features	Cooling Method	Fan-less
Connectivity	Wi-Fi and Bluetooth	IEEE 802.11 a/b/g/n/ac 2T2R module with Bluetooth V4.0 (M.2 2230)	
Physical	Construction Material	ABS+PC plastic with anti-bacterial material	
	Mounting	Wall, Stand and Arm VESA 75/100	
	Net Weight	6.8 kg without battery	
	Dimensions (WxHxD) (mm)	541mmx 348mm x 56mm	
Environment	Operating Temperature	0°C~40°C	
	Storage Temperature	-20°C~60°C	
	Humidity	10% to 95% (non-condensing)	
	Vibration	1G	
	Shock	Operating Shock: 5G peak acceleration (11ms duration) Non-Operating Shock: 15G peak acceleration (11ms duration)	
	IP Level	Front: IP65 Back: IP32 above	
Power	Power Input	12V~28V DC input	
	Power Adapter	150W medical power adapter	
	Battery	3 slots for TC-202 battery pack	
Certification	CE, FCC Class B part 18,ANSI/AAMI ES60601-1 CAN/CSA-C22.2 No. 60601-1-14,IEC 60601-1-6/IEC62366,ISO 14971		

1

ODM Reference

2

Mobile Solutions

3

Automation Panel Solutions

4

Healthcare Solution

5

Optional Peripherals



Ordering Information

Part No.	Description
POCm-W22C-ULT3-C/PC/4G-R10	21.5" 250cd/m ² FHD medical panel PC with 6th generation 14nm Intel® mobile Celeron® 3855U (15W) 1.6GHz on-board processor (ULT), one 4GB DDR4 RAM, 802.11a/b/g/n/ac Wi-Fi module, PCAP touchscreen, 5-megapixel camera, microphone, hot-swappable battery, R10
POCm-W22C-ULT3-i5/PC/4G-R10	21.5" 250cd/m ² FHD medical panel PC with 6th generation 14nm Intel® mobile Core™ i5-6300U (15W) 2.4GHz on-board processor (ULT), one 4GB DDR4 RAM, 802.11a/b/g/n/ac Wi-Fi module, PCAP touchscreen, 5-megapixel camera, microphone, hot-swappable battery, R10
POCm-W22C-ULT3-i7/PC/4G-R10	21.5" 250cd/m ² FHD medical panel PC with 6th generation 14nm Intel® mobile Core™ i7-6600U (15W) 2.6GHz on-board processor (ULT), one 4GB DDR4 RAM, 802.11a/b/g/n/ac Wi-Fi module, PCAP touchscreen, 5-megapixel camera, microphone, hot-swappable battery, R10
POCm-W24C-ULT3-C/PC/4G-R10	24" 250cd/m ² FHD medical panel PC with 6th generation 14nm Intel® mobile Celeron® 3855U (15W) 2.4GHz on-board processor (ULT), one 4GB DDR4 RAM, 802.11a/b/g/n/ac Wi-Fi module, PCAP touchscreen, 5-megapixel camera, microphone, hot-swappable battery, R10
POCm-W24C-ULT3-i5/PC/4G-R10	24" 250cd/m ² FHD medical panel PC with 6th generation 14nm Intel® mobile Core™ i5-6300U (15W) 2.4GHz on-board processor (ULT), one 4GB DDR4 RAM, 802.11a/b/g/n/ac Wi-Fi module, PCAP touchscreen, 5-megapixel camera, microphone, hot-swappable battery, R10
POCm-W24C-ULT3-i7/PC/4G-R10	24" 250cd/m ² FHD medical panel PC with 6th generation 14nm Intel® mobile Core™ i7-6600U (15W) 2.6GHz on-board processor (ULT), one 4GB DR4 RAM, 802.11a/b/g/n/ac Wi-Fi module, PCAP touchscreen, 5-megapixel camera, microphone, hot-swappable battery, R10

Options

Part Number	Description
MEDP-HS-R10	USB interface VoIP phone and its holder, white
MEDP-CR-R10	Magnetic card reader/Smart card reader/Fingerprint sensor, white
MEDP-MF-RFID-R10	MIFARE RFID reader, 13.56MHz, with LED indicator, IEI assembly only
MEDP-TPM-R10	Trusted platform module kit, IEI assembly only
MEDP-EZS-R10	VESA 100 x 100 mm panel PC stand with a cable management hole, white
MEDP-BC-04-R10	4-Bay battery charger
MEDP-HSBAT-R10	1 Lithium-ion 3S3P battery pack.11.1V/7800mA
POCm-W22C-ULT3-W10E64-V-R10	OS Image with Windows Embedded Standard 10 E Value 64-bit for POCm-W22C/W24C Series, with DVD-ROM, RoHS
*POCm-W22C-ULT3-W10E64-R10	OS Image with Win10 IoT Ent LTSB 2016 MultiLang OEI Value (ESD) 64-bit for POCm series, with DVD-ROM

*OS image with CD-ROM without storage

IQ Mounting Options

Item	Part No.
Wall Mount Kit	AFLWK-19B
Arm	ARM-31-RS
Stand	STAND-300SW-RS/STAND-A21-R10

Packing List

Item	Q'ty	Description
Utility CD	1	Drivers and user manual
Power Adapter	1	150W medical power adapter
Power Cord	1	European power cords, 183 CM, C13

1
ODM Reference

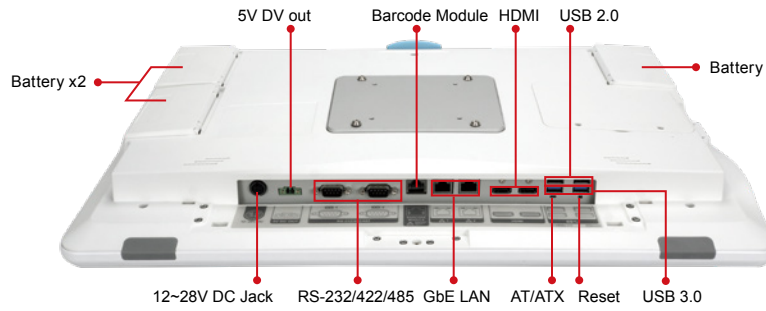
2
Mobile Solutions

3
Automation Panel Solutions

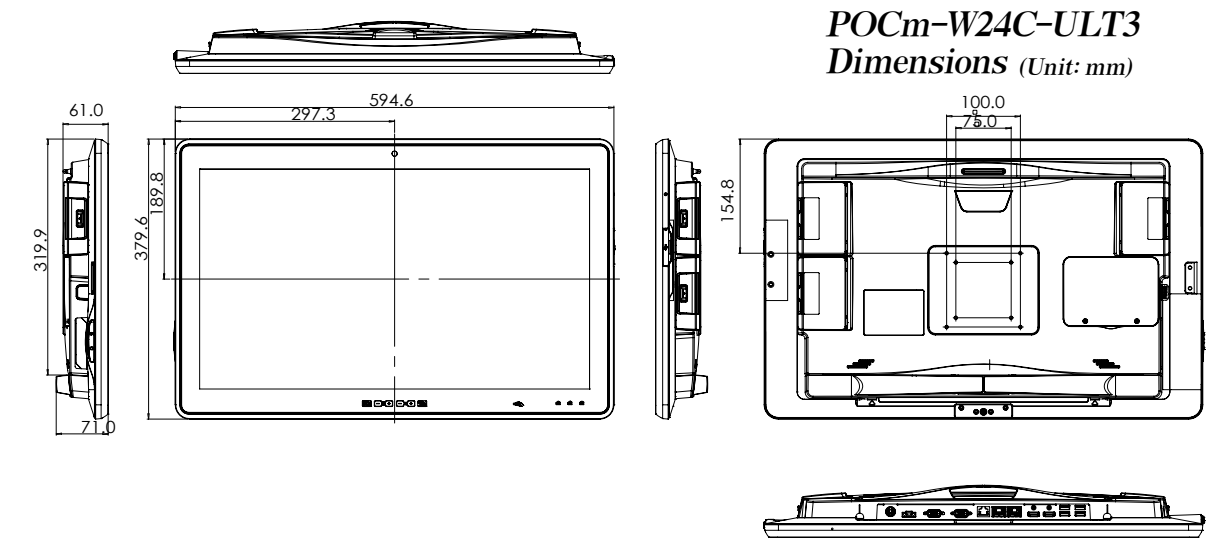
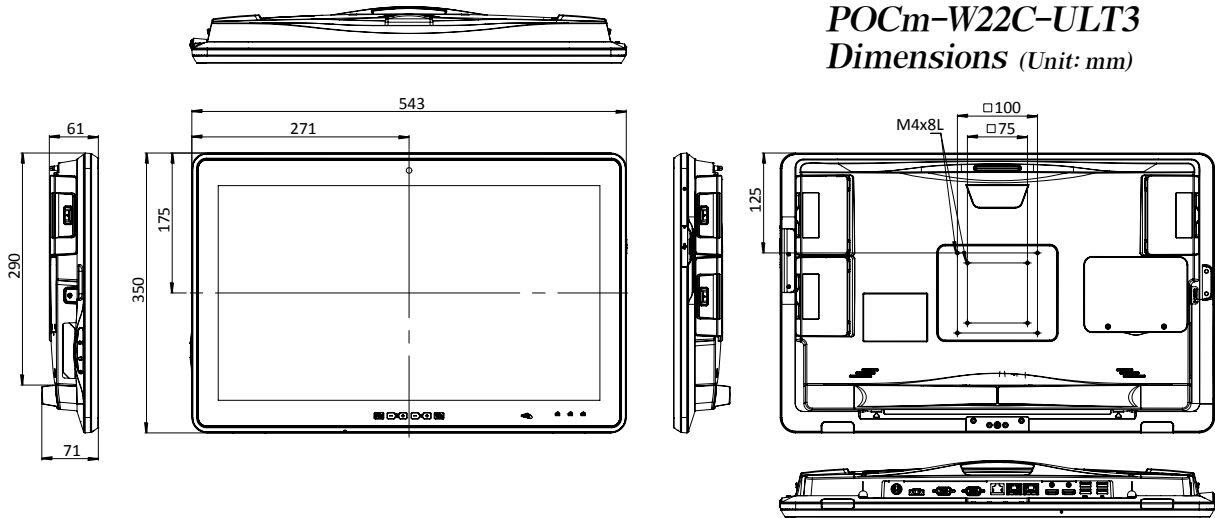
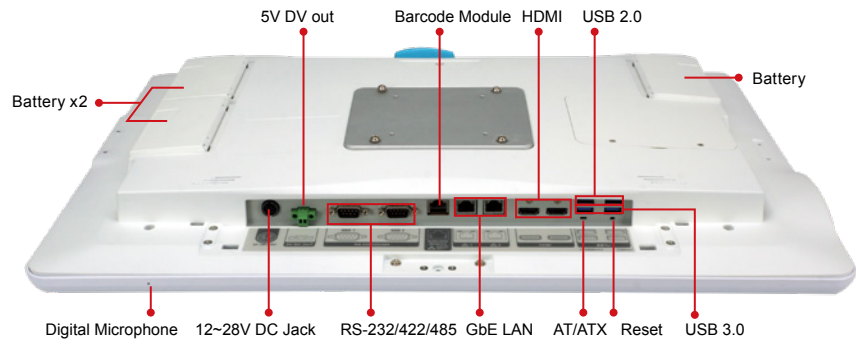
4
Healthcare Solution

5
Optional Peripherals

POCm-W22C-ULT3
I/O Interface



POCm-W24C-ULT3
I/O Interface



1
ODM
Reference

2
Mobile
Solutions

3
Automation
Panel
Solutions

4
Healthcare
Solution

5
Optional
Peripherals