

# DA-1100

Intel® Pentium® N4200 / Celeron® N3350 Processor  
Affordable Fanless Embedded Computer



## Key Features

- Onboard Intel® Pentium® N4200 / Celeron® N3350 Processor
- Supports Triple Independent Display
- Supports PoE+ Function (with optional CFM module)
- Supports CMI Interface for I/O Expandability
- 1x 2.5" SATA Drive Bay, 1x mSATA Socket
- 2x Full Size Mini-PCIe Socket, 1x SIM Card Socket
- Ultra Compact Size (150 x 105 x 52.3 mm)
- Wide Operating Temperature -40°C to 70°C
- Safety: LVD EN60950-1



## Overview

Cincoze DA-1100 affordable fanless embedded computer is based on the Intel® Pentium® N4200 / Celeron® N3350 processor. This mainstream Intel® SoC (Apollo Lake) integrates the Intel® Gen 9 graphics architecture with triple display support in 4K/2K UHD resolution. DA-1100 supports both Combined Multiple I/O (CMI) and Control Function Module (CFM) which are specially designed for flexible I/O and function expandabilities, such as COM ports, optical isolated digital I/O, LPT/PS2, HDMI, DisplayPort, DVI-D, VGA, and Power over Ethernet (PoE).

Leveraging a reliable fanless and durable cable-free design in an ultra-compact aluminum housing, DA-1100 is ideally for deployment in space-constrained place and continuous operation under harsh environments.

## Highlights



### Ultra Compact & Powerful

DA-1100 is powered by Intel Apollo Lake SoC (up to 4 core, 2.5 GHz) and constructed with a palm-sized aluminum housing. It can be easily installed into a control cabinet or any other space-limited environments.

### Triple Displays

DA-1100 offers enhanced graphics performance to enable three simultaneous displays and support 4K/2K UHD resolution. The third display output can be added via CMI module and is available with VGA, DisplayPort, HDMI, or DVI-D.

### Power over Ethernet

By utilizing optional Cincoze Control Function Module (CFM), the system can add power over ethernet (PoE+) function with up to 25.5W per port. It is ideal for applications like machine vision or video surveillance.

## » Specifications

### Processor

- Onboard Intel® Pentium® N4200 Quad Core Processor, up to 2.50 GHz
- Onboard Intel® Celeron® N3350 Dual Core Processor, up to 2.40 GHz

### BIOS

- AMI BIOS, 8MB SPI Flash ROM built on board

### Memory

- 1x DDR3L 1333/1600/1866 MHz 204-Pin SO-DIMM Socket
- Supports up to 8GB (un-buffered and non-ECC)

### Graphics

- Integrated Intel® HD Graphics 505 (Pentium® N4200)
- Integrated Intel® HD Graphics 500 (Celeron® N3350)
- Supports Triple Independent Display  
(DVI-D + VGA from DVI-I, one output from optional CMI module)

### Audio Codec

- Realtek ALC888-GR

### External I/O Interface

- 1x DVI-I (1920 x 1080 @60Hz)
- 2x GbE LAN (Supports WoL, Teaming, Jumbo Frame & PXE), RJ45
  - GbE1: Intel® I210AT
  - GbE2: Intel® I210AT
- 4x USB 3.0 (Type A)
- 1x USB 2.0 (Type A)
- 2x RS-232/422/485 with Auto Flow Control, DB9
- 1x Line-out & 1x Mic-in, Phone Jack 3.5mm
- 1x ATX Power On/Off Button
- 1x AT/ATX Mode Switch
- 1x Clear CMOS Switch
- 1x Remote Power On/Off Connector, 2-pin Terminal Block

### Storage

- 1x mSATA Socket (SATA 3.0, Shared by Mini-PCIe Socket)
- 1x 2.5" HDD/SSD Drive Bay (SATA 3.0)
  - \* The 2.5" HDD/SSD bracket has to be removed when installing Mini-PCIe MEC LAN Module.

### Expansion

- 2x Full-size Mini-PCIe Socket
- 1x Control Function Module (CFM) Interface
- 1x Combined Multiple I/O (CMI) Interface
- 1x SIM Card Socket
- 2x Antenna Holes

### Other Functions

- Watchdog Timer: Software Programmable Supports 256 Levels System Reset
- Supports Instant Reboot Technology (0.2 sec)

### Power Requirement

- Supports AT/ATX Power Type
- Power Input Voltage 9~48VDC
- 1x 3-pin Terminal Block
- Power Adapter AC/DC 12V/5A 60W or 24V/5A 120W (Optional)

### Physical

- Dimensions (WxDxH, mm): 150 x 105 x 52.3 mm
- Weight: 0.87 kg
- Construction: Extruded Aluminum with Heavy Duty Metal
- Mounting: Wall / VESA (Optional DIN-Rail/Side Mounting)
- Unibody Chassis
- Fanless Design
- Jumper-less Design
- Cable-less Design

### Protection

- Reverse Power Input Protection
- Over Voltage Protection: 58V
- Over Current Protection: 20A
- ESD Protection: +/-15kV (air), +/-8kV (contact)
- Surge Protection: 3.84 kV (impedance 12 ohm 1.2/50us waveform)

### Operating System

- Windows® 10
- Linux: Supports by project

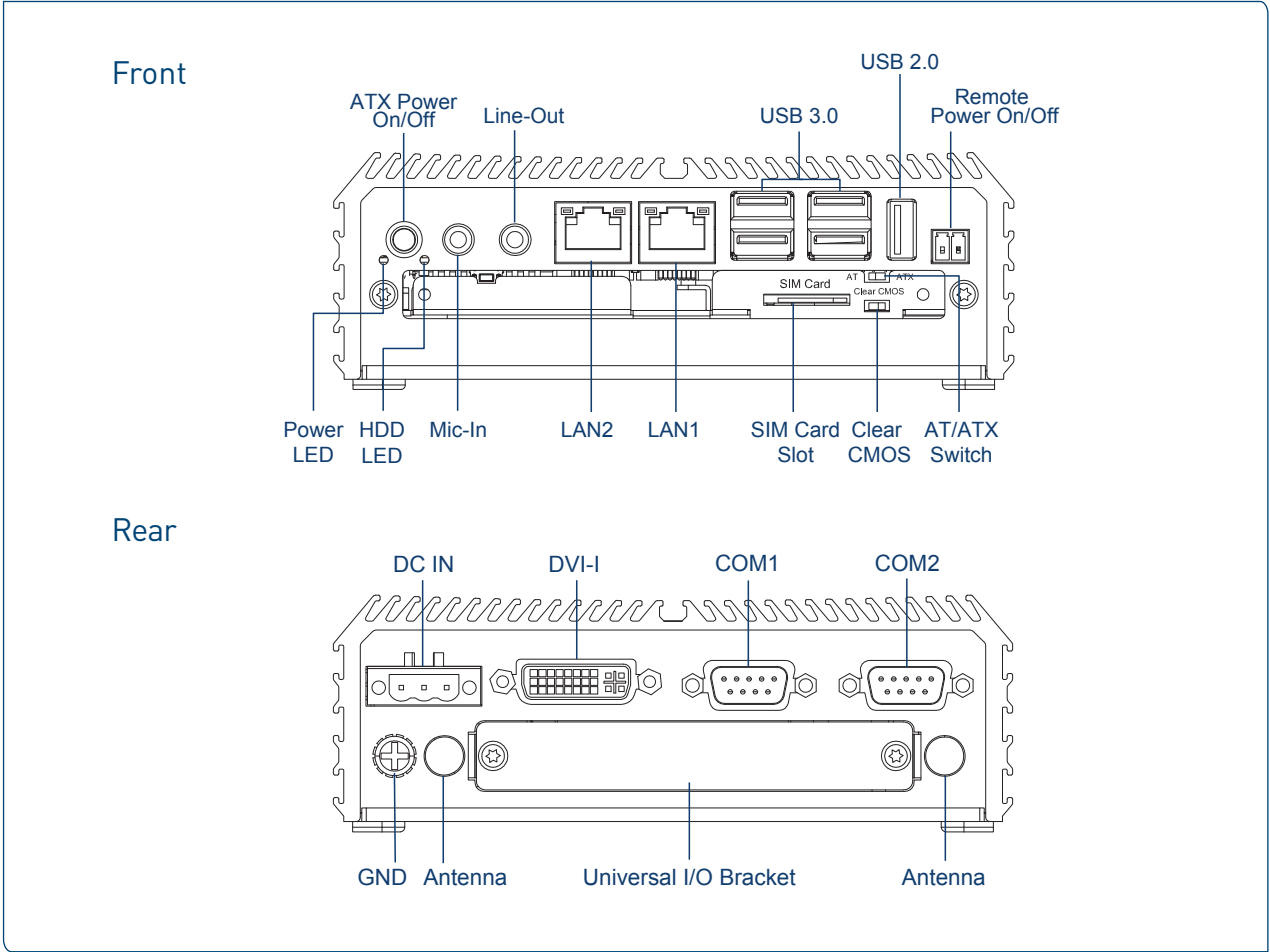
### Environment

- Operating Temperature: -40°C to 70°C
  - \* With extended temperature peripherals; Ambient with air flow
  - \* According to IEC60068-2-1, IEC60068-2-2, IEC60068-2-14
- Storage Temperature: -40°C to 85°C
- Relative Humidity: 95%RH @ 70°C (non-Condensing)
- Shock: Operating, 50 Grms, Half-sine 11 ms Duration
  - \* w/ SSD, according to IEC60068-2-27
- Vibration: Operating, 5 Grms, 5-500 Hz, 3 Axes
  - \* w/ SSD, according to IEC60068-2-64
- MTBF: 632,353 Hours

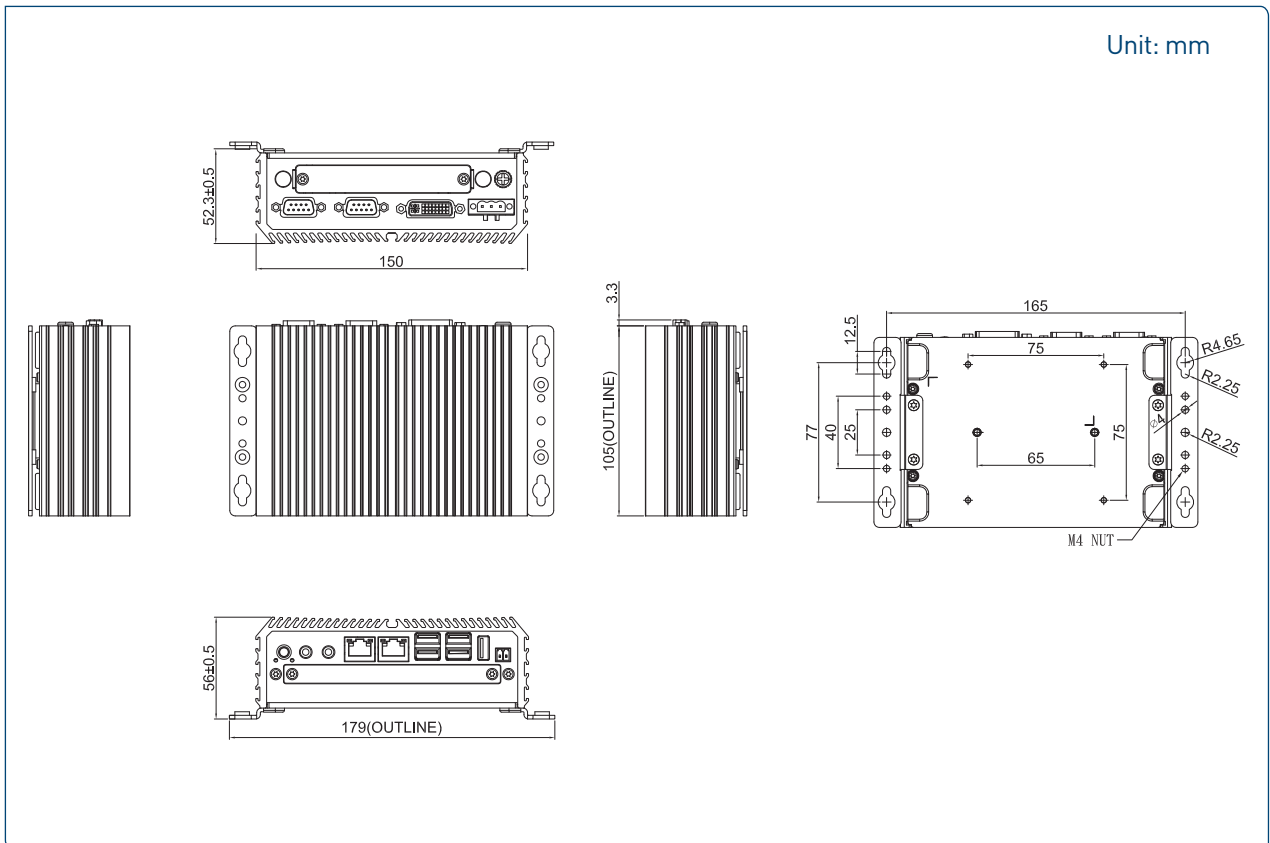
### Certification

- EMC: CE, FCC Class A
- Safety: LVD (EN60950-1)

External Layout



Dimensions



## Ordering Information

### Available Models

Model No.	Product Description
<b>DA-1100-N42</b>	Intel® Pentium® Processor N4200 Affordable Fanless Embedded Computer
<b>DA-1100-N33</b>	Intel® Celeron® Processor N3350 Affordable Fanless Embedded Computer

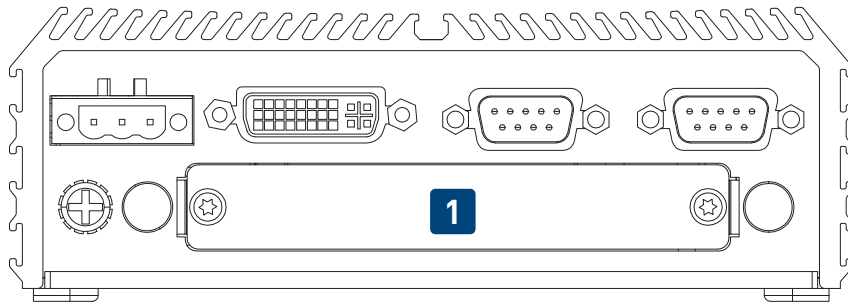
### Package Checklist

- DA-1100 Affordable Fanless Embedded Computer
- Thermal Pad (for CPU Thermal Block) x 1
- Power Terminal Block Connector x 1
- Remote Power On/Off Terminal Block Connector x 1
- Utility DVD Driver x 1
- DVI-I to VGA Adapter x 1
- Screw Pack x 1
- Wall Mounting Kit x 1

### Optional Modules & Accessories

Model No.	Description
CMI-DP101/UB0406	CMI Module with 1x Display Port / 1x Universal Bracket with DP Cutout for DA Series
CMI-DVI101/UB0407	CMI Module with 1x DVI-D Connector / 1x Universal Bracket with DVI-D Cutout for DA Series
CMI-HDMI01/UB0408	CMI Module with 1x HDMI Port / 1x Universal Bracket with HDMI Cutout for DA Series
CMI-VGA101/UB0416	CMI Module with 1x VGA Port / 1x Universal Bracket with VGA Cutout for DA Series
CMI-COM102/UB0403	CMI Module with 2x RS232/422/485 / 1x Universal Bracket with 2x DB9 Cutout for DA Series
CMI-DIO100/UB0415	CMI Module with 8x Optical Isolated DIO (4 in/4 out) / 1x Universal Bracket with DIO Cutout for DA Series
CMI-LPPS102/UB0409	CMI Module with 1x LPT Port, 1x PS/2 / 1x Universal Bracket with PS/2, LPT Cutout for DA Series
CFM-PoE02	CFM Module with PoE Control Function, Individual Port 25.5W
MEC-LAN-M002-15/UB0411	Mini-PCIe Module with 2x LAN Ports, 2x 15cm cable / 1x Universal Bracket with 2x RJ45 Cutout for DA Series
SIDE02	Side Mount Kit for DA Series, with KMRH-K175 for DIN-Rail option
DINRAIL	Diamond series DIN-RAIL Mount Kit
GST60A12-CIN	Adapter AC/DC 12V 5A 60W, GST60A12-CIN, wide temp (-30°C ~ +70°C), level VI
GST120A24-CIN	Adapter AC/DC 24V 5A 120W, GST120A24-CIN, wide temp (-30°C ~ +70°C), level VI
SL2-SL3	US 2 heads power cord, US B type to IEC C13, SVT 18AWG/3C Black 1.8M SL-2+SL-3
SL6-SL3	EU 2 heads power cord, EU G type to IEC C13, H05VV-F 0.75mm2/3G Black 1.8M SL-6+SL-3
QP026-SL3	UK 2 heads power cord, UK I type to IEC C13, H05VV-F 0.75mm2/3G Black 1.8M QP026+SL-3

»»» Optional Module Configuration



Model No.	Description	1
CMI-DP101/UB0406	CMI Module with 1x Display Port / 1x Universal Bracket with DP Cutout for DA Series	V
CMI-DVI101/UB0407	CMI Module with 1x DVI-D Connector / 1x Universal Bracket with DVI-D Cutout for DA Series	V
CMI-HDMI01/UB0408	CMI Module with 1x HDMI Port / 1x Universal Bracket with HDMI Cutout for DA Series	V
CMI-VGA101/UB0416	CMI Module with 1x VGA Port / 1x Universal Bracket with VGA Cutout for DA Series	V
CMI-COM102/UB0403	CMI Module with 2x RS232/422/485 / 1x Universal Bracket with 2x DB9 Cutout for DA Series	V
CMI-DIO100/UB0415	CMI Module with 8x Optical Isolated DIO (4 in/4 out) / 1x Universal Bracket with DIO Cutout for DA Series	V
CMI-LPPS102/UB0409	CMI Module with 1x LPT Port, 1x PS/2 / 1x Universal Bracket with PS/2, LPT Cutout for DA Series	V
MEC-LAN-M002-15/UB0411	Mini-PCIe Module with 2x LAN Ports, 2x 15cm cable / 1x Universal Bracket with 2x RJ45 Cutout for DA Series	V