

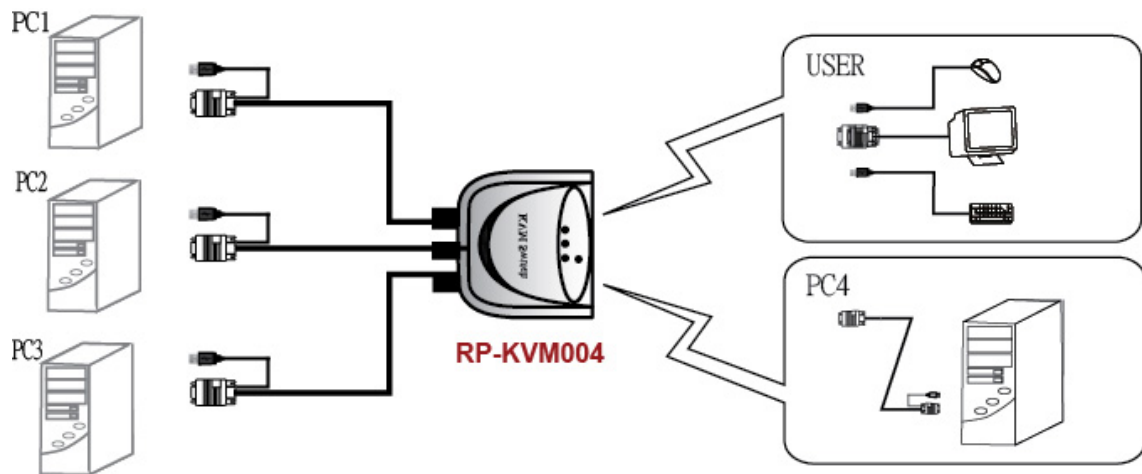
RP-KVM004**4-P KVM Switch with integrated Cables****Feature**

- Improve switch speed
- Fully USB v1.1 specification compliant
- Access 4 computers by one KVM switch
- Support both “panel button” and “hot key” to switch among computers
- Support auto-scan mode for users to monitor computers easily
- Supports windows, MAC, Linux, FreeBSD and Sun system
- Support 2 USB downstream ports for USB Keyboard and Mouse
- Support 1 PS2 downstream port for PS2 Keyboard
- Support its driver-free and plug-n-play

Specification

PC side connector	HD-15M x4 USB A Type x4
Console side connector	HD-15M x4 USB A Type x4
PC selection method	Hot Key
Max. Resolution	1920 x 1440
Video Bandwidth	250MHz
Horizontal Frequency	380KHz
Vertical Frequency	43~250Hz
Housing	Plastic

Application



Ordering information

RP-KVM004 4-P KVM Switch with integrated Cables