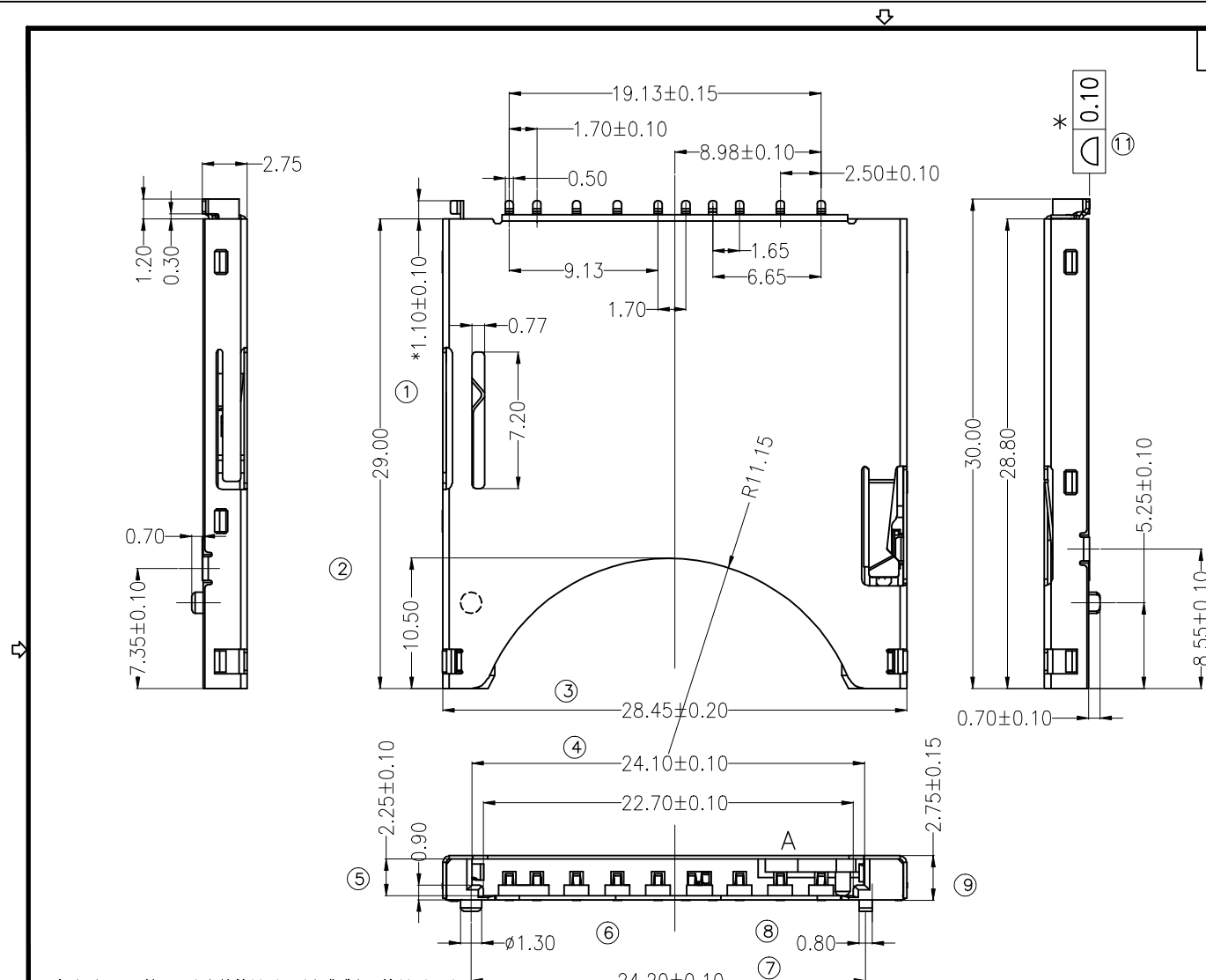


* 所有原料材质, 生产制程, 电镀必须符合ROHS要求



Specification

MATERIAL:
 Insulator: LCP, UL 94 V-0, Black
 Cam Slider: LCP, UL 94 V-0, Black
 Terminal: Phosphor Bronze, C5191
 Shell: Stainless Steel, SUS
 Detect Lever: Phosphor Bronze, C5191
 Spring: SUS301

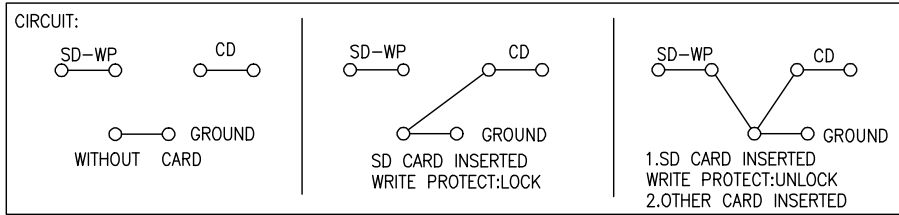
PLATING:
 Contact: Plated 50u" Ni Overall
 Plated Au Selective Contact Area
 Plated 100u" Sn Over Ni On Solder Area
 Shell: Plated 50u" Ni Overall
 Plated 1u" Au Over Ni On Solder Area

Electrical:
 Current Rating :0.5mA AC/DC max.
 Voltage Rating :125V AC/DC
 Ambient Temperature Range :-20°C~+90°C
 Storage Temperature Range :-40°C~+70°C
 Ambient Humidity Range :95% R.H. Max.
 Contact Resistance:100m Ω max.
 Insulation Resistance:1000M Ω min./500VDC
 Mating Cycles:10,000 Insertions

Usable Memory Card:
 SD&MMC Card

	Pin No.	SD	MMC
P1	MMC-DAT SD-DAT3	1P	7P
P2	MMC-CMD SD-CMD	2P	2P
P3	MMC-VTS1 SD-VTS1	接地	3P
P4	MMC-VTD SD-VTD		4P
P5	MMC-CLK SD-CLK		5P
P6	MMC-VTS2 SD-VTS2	接地	6P
P7	MMC-DAT SD-DAT0		7P
P8	SD-DAT1		8P
P9	SD-DAT2		9P

备注:加 ① 所示尺寸为首件量测尺寸加*为选检量测尺寸

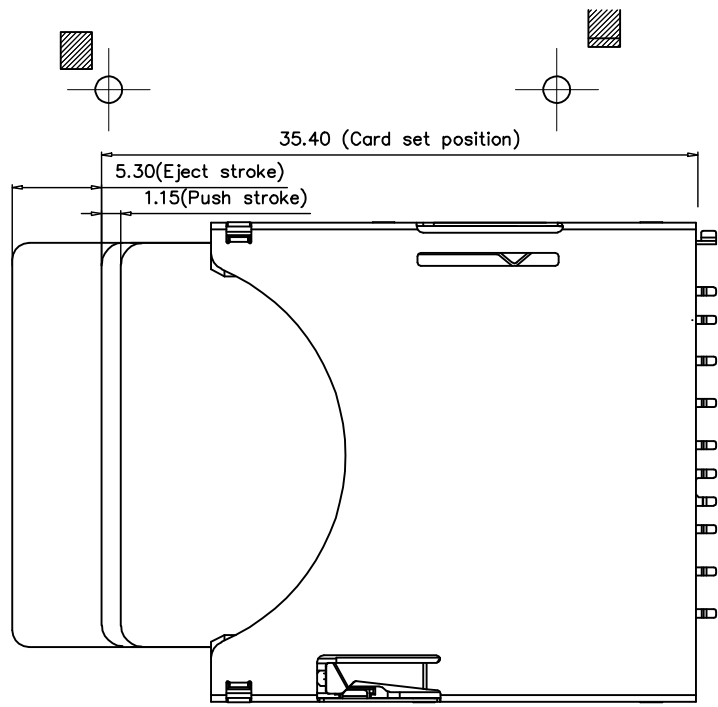
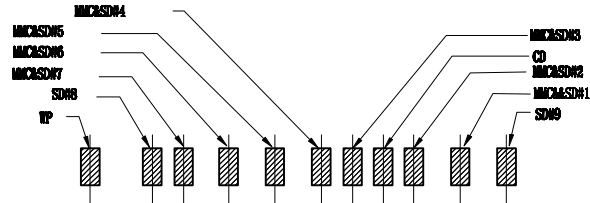


Secon International Enterprise Co., Ltd.

TOLERANCES			PROJECTION	TITLE			
x.	= ± ----	Angle ± 1.0°		SD Card Connector Push-Push Type			
x.x	= ± 0.25						
x.xx	= ± 0.10		UNIT				
x.xxx	= ± 0.05		mm				
DRAWN	COCO	DATE	2008/12/10	PART NO.	SD-S001-P01		
SCALE	1:1	SIZE	A4	SHEET	1/2	REV	A

REVISION NO.	ECR NO.	DESCRIPTION	MARK	DATE
1				
2				
3				

PIN ASSIGNMENT:

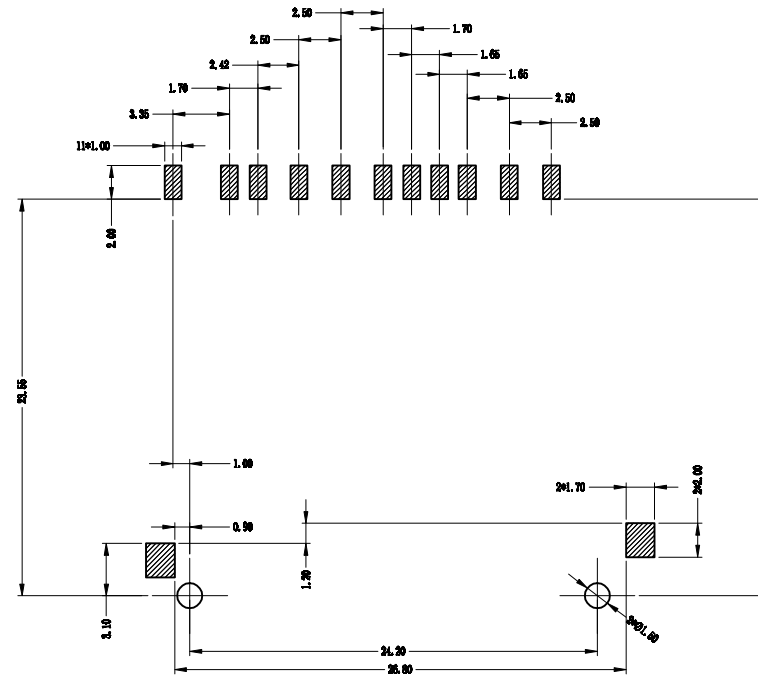


View of inserted card

* 所有原材料, 生产制程, 电镀必须符合ROHS要求

Recommend PCB Layout Drawing:

(Unit:mm .X ± 0.15 .XX ± 0.05 .XXX ± 0.02)



Welding area
prohibited layout area

Seconn International Enterprise Co., Ltd.

TOLERANCES		PROJECTION	TITLE			
x.	= ± ----	 UNIT mm	SD Card Connector Push-Push Type			
x.x	= ± 0.25					
x.xx	= ± 0.10					
x.xxx	= ± 0.05	Angle ± 1.0°				
DRAWN	COCO	DATE	2008/12/10	PART NO.	SD-S001-P01	
SCALE	1:1	SIZE	A4	SHEET	2/2	REV A

REV	DATE	BY	CHK	APP
1				