

NEW



VDTU2A-404

VDSL2 LAN Extender with 4 Ports GbE Ethernet

The VDTU2A-404 VDSL2 LAN Extender is a high-speed Ethernet Extender designed for applications under harsh environment. It is equipped with 4 Gigabit Ethernet Ports (RJ-45 connector) and one VDSL2 port (RJ-45 connector) in metal enclosure for easy installation in harden environment. It is a bridge mode modem, well accommodating VDSL2 (Very-high-data-rate Digital Subscribe Loop) technology to extend Ethernet service over single-pair phone line. It is compliant to ITU-T G.993.2 standard and supports VDSL2 30a profile that features 100Mbps of symmetric data rate over the existing copper wires. Supporting both symmetric and asymmetric transmission, it can reach up to 190/110Mbps bandwidth (line rate) within 300M. By providing ultra-high speed, the VDTU2A-404 VDSL2 LAN Extender makes your telephone line achieve its best performance than before. It has the advantage of minimum installation time (simply as plug-n-play) and minimum expense by allowing video streaming and data to share the same telephone pair without interference.

The VDTU2A-404 VDSL2 LAN Extender delivers everything needed to quickly deploy a high-speed IP-based network for providing high-speed Internet access, video-on demand services and voice services. The resulting compact, cost-effective form factor offers Systems Integrators, small business owners an attractive Long Reach Ethernet solution.

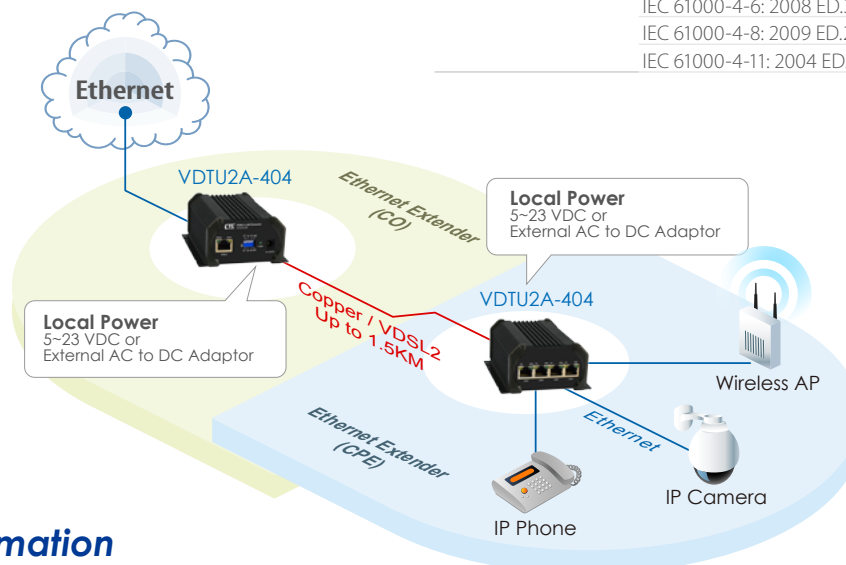
Features

- Metal enclosure for easy installation in Utility applications
- Cost effective bridge function to connect two Ethernet LAN
- IEEE 802.1Q VLAN tag transparent
- Easy installation via simple plug-and-play
- 4-Position Dip Switch for quick set up
- Wall Mount or Mounting Magnets(Optional)

Specifications

VDSL Interface	RJ-45 connector DMT Encoding Complying with ITU-T G993.1/993.2/G.997.1 On-board surge protection	Power Consumption	4.5 Watts maximum
LAN Interface	4 x RJ-45 connectors 10/100/1000 Base-T; Auto-Negotiation, Auto-MDI/MDI-X. Complying with IEEE 802.3/802.3u/802.3z	Dimension	110.7 x 88 x 40mm (DxWxH)
4-position DIP Switch	Selectable CO or CPE mode Selectable Fast or interleave mode Selectable 30a or 17a (VDSL2 Profile) Selectable target SNR margin (6dB or 9dB)	Operating Temperature	0°C ~50°C
LED	Power: On/Off LAN: Fast Ethernet/Gigabit Ethernet VDSL2: Mode - CO/CPE Sync - Idle/Trained/Link	Humidity	0%~95%RH (non-condensing)
Power supply	External 12V/1A Power Adaptor	Installation	Wall Mounting or Magnet Kit (optional)
		Regulatory Compliance	CE, FCC Part 15 Class A, EN60950
		Emission	EN 55022: 2006 + A1: 2007, Class B AS/NZS CISPR 22: 2006, Class B EN 61000-3-2: 2006 + A1: 2009 + A2: 2009, Class A EN 61000-3-3: 2008
		Immunity	EN 55024: 1998 + A1: 2001 + A2:2003 IEC 61000-4-2: 2008 ED.2.0 IEC 61000-4-3: 2006+A1: 2007 ED.3.0 IEC 61000-4-4: 2004+A1: 2010 ED.2.0 IEC 61000-4-5: 2005 ED.2.0 IEC 61000-4-6: 2008 ED.3.0 IEC 61000-4-8: 2009 ED.2.0 IEC 61000-4-11: 2004 ED.2.0

Application



Ordering Information

Model Name	Description
VDTU2A-404	VDSL2 LAN Extender with 4-ports 10/100/1000Base-T RJ45