

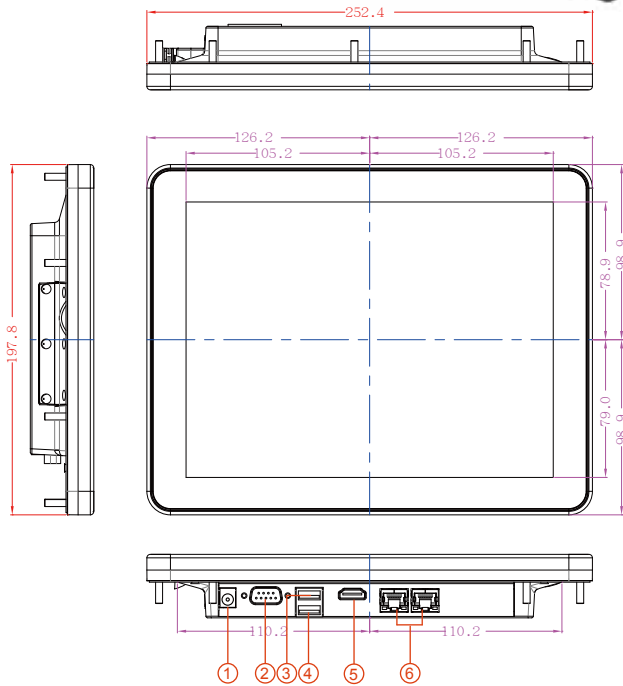
# R10IB3S-PCP1

## Stylish 10.4" Multi Touch Flat Panel PC

Model:R10IB3S-PCP1

### Features:

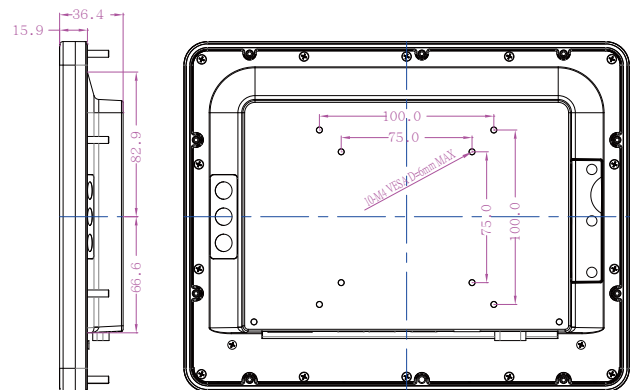
- 10,4" (800x600) TFT LCD
- Intel® Celeron® Bay Trail-M N2930 Processor
- 2 x LAN , 1 x HDMI , 1 x USB 3.0 , 1 x USB 2.0, 1 x RS-232/422/485
- Projected capacitive touch (multi-touch)
- Fanless cooling system and ultra-low power consumption
- 12V DC power input
- VESA or console mount option
- Support wide temperature range from -25 to 65 °C



**Bottom View**

**Side View**

**Back View**



1. DC-12V Power Jack
2. RS 232 / 422 / 485
3. USB 3.0
4. USB 2.0
5. HDMI
6. RJ-45

4. Measurements shown in mm  
All Dimensions are SD Card Slot

\*Note: this is a simplified drawing and some components are not marked in detail.  
Please contact our sales representative if you need further product information.

#### System

- CPU : Intel® Celeron® Bay Trail-M N2930 1.83GHz
- Memory Slot : DDR3L 1066/1333 MHz SO-DIMM Slot, Max. 8GB
- System Chipset : Intel ATOM SoC Integrated
- IDE/SATA : 1 x SATA II
- LAN : Intel WG82574L GbE LANx2
- Audio Codec : Realtek ALC886 HD Audio Codec

#### Input / Output

- Serial Ports : 1 x RS-232, 1 x RS-232/422/485
- USB Ports : 1 x USB 3.0, 1 x USB 2.0
- Ethernet : 2 x RJ45-10/100/1000 Mbps
- HDMI : 1 x HDMI
- Power : 1 x DC-in Power Jack(+12V)

#### Expansion Slot

- 2 x Mini PCIe (1 for WiFi, 1 for SATA SSD)

#### Power Specifications

- Power Input : 12V DC IN (Lockable Power Jack)
- Power Consumption : 32W (typ.)(Max.backlight & high CPU load)

#### Accessories

- External Adapter : 110~230V Ac-in Power Adapter

#### Panel Spec

- Size/Type : 10.4" TFT
- Pixel Pitch : 0.264(H) X 0.264(V)
- Resolutions : 800 x 600
- Brightness : 400 cd/m<sup>2</sup> (typ.)
- Contrast Ratio : 400:1(typ.)
- Viewing Angle : -70~70(H);-70~60(V)

#### Environment Considerations

- Operating Temperature : -25 deg.C to 65deg°C
- Operating Humidity : 30% to 90% (non condensing)

#### OS BSP / Driver Support

- Support Windows 8 embedded\* / Windows 7 embedded (Optional)
- \*Windows 8 requires a 1024 x 768 resolution to operate Metro UI

#### Security Support

- Trusted Platform Module (TPM 1.2)

#### Order Options

- Storage : mSATA
- RAM : DDR3 1066 Max 8GB
- OS : Windows 8 embedded / Windows 7 embedded (Optional)

Rev	Reasons	Revised Date
1.3	Spec change	July-16-14
1.4	Spec change	Jul-28-14
1.5	Spec change	Sep-23-14

Date:09/23/2014