

PC DIY Water Cooling System



- Supports Intel LGA 2011/1366/1156/1155/1150/775
- Supports AMD Socket 754/939/940/AM2/AM2+/AM3
- The thermal efficiency of the system reaches 280W



Product Features

Water Block

- Silver alloying brazing water block
- Intel and AMD socket compatibility & Easy installation
- Nickel-planted and mirror polishing treatment on copper base
- 3D micro-fin structure and inner micro channel design



Intel and AMD socket compatibility & easy installation



High Performance Water Block



3D micro-structure flow tunnel inside



Nickel-planted and mirror polishing treatment



PUMP

- VR and LED light pump & tank with falling water effect, low noise and high performance.
- VR pump & tank operates low noise and silent paper work at low speed and high performance PC game at high speed.
- LED light shows the falling water effect.



VR PUMP & Tank



G 1/4 thread



3/8 Tube
ID-9.5mm /
OD 12.7mm tube



24cm Radiator

- The brackets install inside and outside of the case easily.
- Adjustable speed fan provides low noise and high performance.
- The radiator adopts the combination technology of copper tubes expanding and punching aluminum fin providing outstanding cooling performance.



Silent Working



24cm Radiator



High density aluminum fin

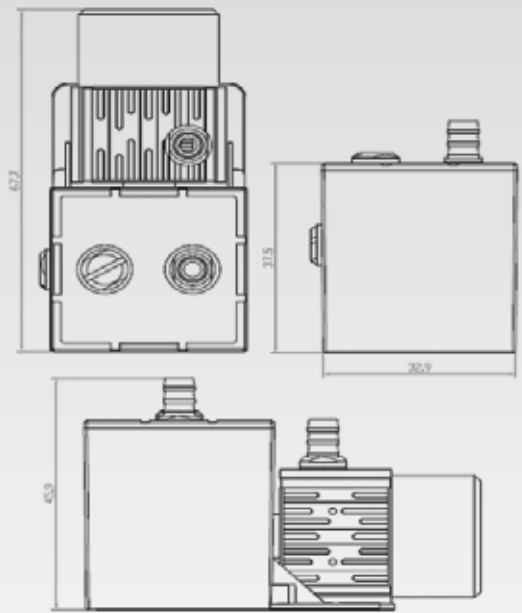


QC & OEM/ODM

- 100% QC test identify the tough quality and perfect cooling performance.
- OEM/ODM provides different components to assembly into the liquid cooling system.

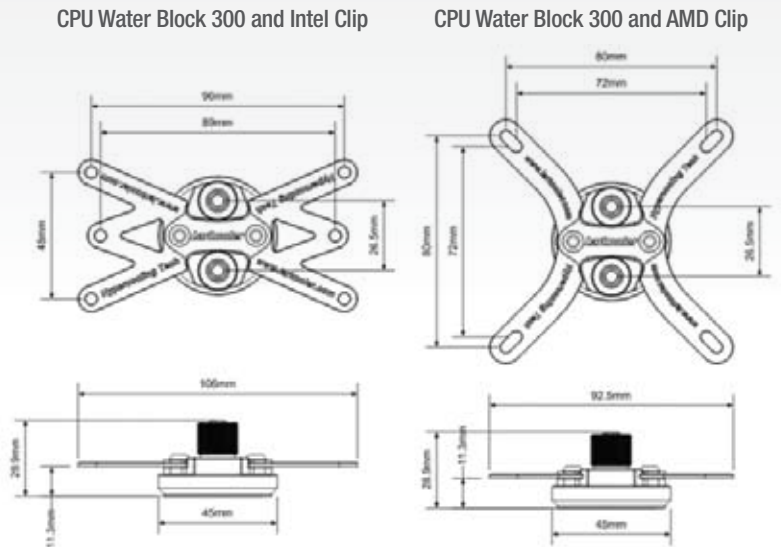
SkyWater VR PUMP & Tank with LED Light 01

| | |
|---------------------------|---|
| Product Name | SkyWater VR PUMP & Tank with LED Light 01 |
| P/N(product number) | TPA001 |
| PUMP Dimension | (L) 72mm x (W)53mmx (H) 54mm |
| PUMP & Tank Dimension | (L) 136mm x (W) 67mm x (H) 75mm |
| Tube Diameter | 3/8"(OD12.7mm / ID 9.5 mm) (G 1/4" thread) |
| Weight | 197g |
| Rated Voltage and Current | DC12V/0.41~1.15A |
| Pump Speed | 3600~5700rpm |
| Flow Rate | 480L/Hour |
| Max. Water Lift | 400cm |
| Tank Dimension | (L) 106mm x (W) 67mmx (H) 75mm |
| Tank Capacity | 250ml |
| LED Light | White |



SkyWater CPU WB 300 (CWB-10)

| | |
|----------------------|---|
| Product Name | SkyWater CPU WB 300 (CWB-10) |
| P/N (product number) | LWB001 |
| Dimension | (Dia) 45mm x 29mm(H) (without clip) |
| Tube diameter | 3/8"(OD 12.7mm / ID 9.5mm) and 1/4"(OD8mm / ID 6mm) |
| Thread Type | G 1/4" |
| Weight | 107g (without clip) 263g (Intel clip) 151.3g (Intel 2011 clip) 262g (AMD clip) |
| Material | pure copper |



SkyWater Radiator Black 240 with 120x2 Fans

| | |
|---------------------|---|
| Product Name | SkyWater Radiator Black 240 with 120x2 Fans |
| P/N(product number) | RADA240 |
| Dimension | (L) 274mm x (W) 120mm x(H) 37mm |
| Fitting Tube | 3/8"(OD12.7mm / ID 9.0mm) |
| Thread Type | G 1/4" |
| Weight | 759.2g (1Radiator+2Fans+2 Fangrills+2 Supports) 662.2g (1Radiator+2Fans+2 Fangrills) |
| Material | Copper tubes with aluminum fins |
| Fan Spec. | |
| Fan Type | 120x25mm Fan x 2pcs |
| Fan Dimension | 120x120x25mm |
| Fan Speed | 1000~2600 RPM |
| Rated Voltage | DC12V |
| Rated Current | 0.4A |
| Power (@12V) | 4.80W |
| Fan Connector | 3 pin connector |
| Fan Max. Air Flow | 38.8~100.4 CFM |
| Noise | 21.6~41.6 dB |
| Static pressure: | 0.74~4.81mm H2O |
| Life Expectancy | 50000 hrs at 25°C |
| RoHS | Compliant |

