

# AIV-HM76V0FL

Fanless In-Vehicle system, Intel Core i3/i5/i7 + HM76 with smart power system, GPS/3.5G/WiFi/Bluetooth option module

In-Vehicle Computer

www.acrosser.com



## Features



- Rugged fanless design
- Support Intel 3rd generation Core i processors with HM76 chipset
- 2 x DDR3 SO-DIMM, up to 16GB
- Support CAN 2.0A/2.0B protocol and i-Button for driver ID
- VGA/HDMI/DVI-D output
- Variety Wireless Communication
- Combo connector to simplify touch monitor installation

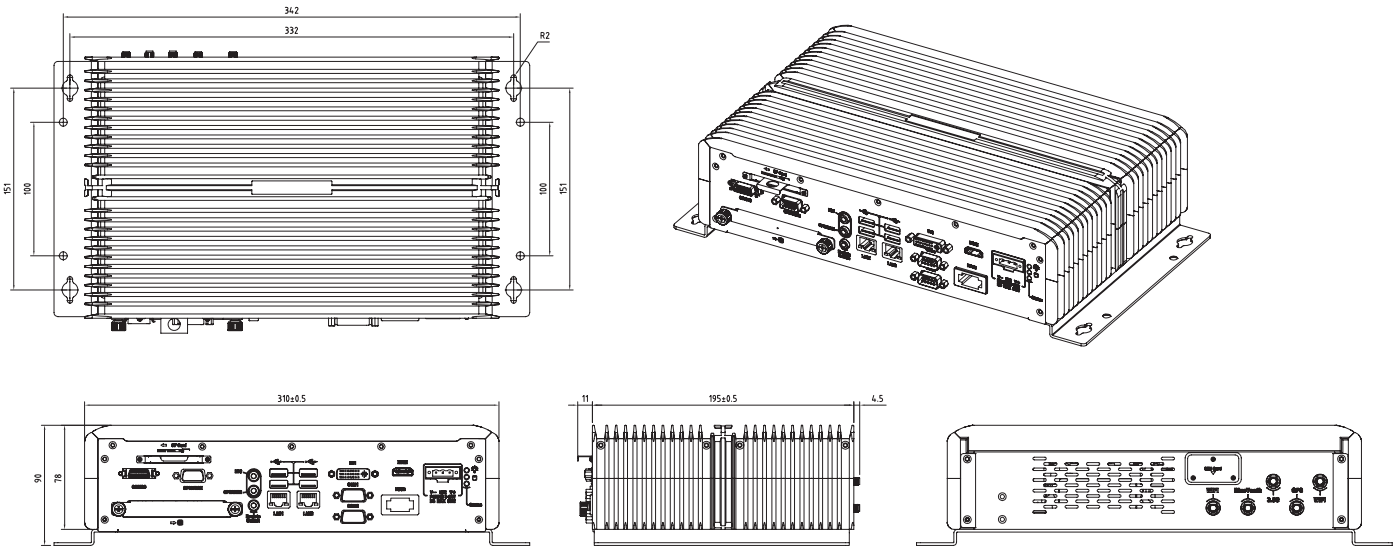


## Specification

System	
<b>CPU</b>	Intel Core i7 3720QM / i5 3360M / i5 3610ME / i3 3120ME
<b>Chipset</b>	Intel HM76
<b>Memory</b>	2 x 204-pin DDR3-1333 SO-DIMM 2GB pre-installed, up to 16GB
Video	
<b>Graphic Controller</b>	Integrated in Processors
<b>Video Memory</b>	DVMT
<b>Video Interface</b>	1 x HDMI type A connector 1 x DVI-D connector 1 x dedicated combo connector (VGA/USB/audio/power)
Storage	
<b>SATA</b>	2 x SATA III port with power connector
<b>CF</b>	1 x Compact Flash Type I/II slot support UDMA 33
<b>Disk Bay</b>	1 x swappable 2.5" HDD bay with Anti-vibration / Anti-shock solution
Communication	
<b>Ethernet</b>	2 x Intel GbE chip via RJ-45 connector
<b>USB</b>	4 x USB 3.0 connector & 2 x JST pin header
<b>Serial Port</b>	2 x RS232 (1 x DB9, 1 x pin header) 1 x RS232/422/485 (DB9, switch selectable)
I/O	
<b>Expansion Slot</b>	2 x Mini PCIe (For Optional 3.5G / Wifi module only) 8-bit GPIO (4 In, 4 Out)
<b>Antenna Hole</b>	1 x SMA for GPS, 1 x SMA for 3.5G, 2 x SMA for WiFi 1 x SMA for Bluetooth
<b>SIM</b>	SIM Slot x 1, SIM card changeable without opening case
<b>Security</b>	Support I-Button for driver ID
<b>CAN BUS</b>	Support CAN 2.0A/2.0B protocol
Others Feature	
<b>Audio</b>	Audio Codec (Line-out & MIC)
<b>Hardware Monitor</b>	CPU voltage and temperature
<b>WatchDog Timer</b>	1~255 sec. software programmable
<b>Indicator</b>	Power / HDD/ Status LED

Power Requirement	
<b>Power Input</b>	9~32 V (+/-5%) single voltage input, 3 poles terminal block
<b>Power Consumption</b>	Max 80W (i7 CPU)
Software	
<b>OS Support</b>	Windows XP, Windows 7, Fedora 14, Ubuntu 10
Mechanical & Environment	
<b>Thermal Design</b>	Fanless
<b>Chassis Material</b>	SECC + Aluminum heatsink
<b>Vibration</b>	IEC 60068-2-64, 5~500Hz, 3GRMS(CF/SSD), Operating with SSD
<b>Shock</b>	IEC 60068-2-27, 50G 500m/s <sup>2</sup> 11MS, Operating with SSD
<b>Dimension</b>	310mm x 195mm x 80mm
<b>Weight</b>	6 kg
<b>Operating Temp.</b>	-20 ~ 60°C (-4 ~ 140°F)
<b>Storage temp.</b>	--40 ~ 80°C (-40 ~ 176°F)
<b>Relative Humidity</b>	0 ~ 90% @ 40C, non-condensing
<b>Safety</b>	CE, FCC class B, E-Mark
Smart In-Vehicle Power Management	
<b>O/S Anti-Crash</b>	Smart O/S boot/shut-down control by power subsystem
<b>System boot / Shut-down delay</b>	Delay time from 0 seconds to 60 minutes setting in BIOS
<b>System boot fail retry</b>	3 times boot fail retry
<b>Power on/off switches</b>	<ul style="list-style-type: none"> <li>● System power switch by remote cable switch</li> <li>● System power input serial connection to car battery and ignition switch</li> </ul>
<b>Car battery protection</b>	Low battery voltage monitoring and configurable auto shutdown low battery voltage level

# Dimension



# I/O Connector



## Packing List

- 1 x AIV-HM76V0FL
- 1 x User Guide & System Driver CD
- 2 x Wall Mount Bracket
- 1 x Screw pack(2.5"HDD bracket: 4pcs)
- 1 x Terminal block female 3pin
- 1 x Spare Fuse 10A
- 1 x GPIO/CAN/Driver ID DB15 Cable
- 1 x Remote Switch Cable
- 1 x One to Many Combo Cable

## Ordering Information

- AIV-HM76V0FLI71** AIV-HM76V0FL with Intel Core i7 3720QM
- AIV-HM76V0FLI52** AIV-HM76V0FL with Intel Core i5 3610ME
- AIV-HM76V0FLI51** AIV-HM76V0FL with Intel Core i5 3360M
- AIV-HM76V0FLI31** AIV-HM76V0FL with Intel Core i3 3120ME

## Optional Modules

- 100070085** Sierra MC8705 with RF cable, Cable Antenna
- 100070067** WIESON ZYM-5020,RF Cable ,Cable Antenna (L=5M)
- 100070086** Intel Centrino N6205 802.11 a/b/g/n WiFi module, RF Cable, Antenna x 2
- 100070066** Qcom QBTM400-01,RF Cable, Antenna