



IEC-4001 Version: 1

Industrial Fast Ethernet Mini Media Converter - 10/100Mbps RJ-45 Copper to 100Mbps SC Multi-Mode Fiber, 2KM

LevelOne IEC-4001 is an industrial Fast Ethernet media converter with a mini size, rugged aluminium case which providing superb heat dissipation. This converter is designed to be mounted on an industrial standard DIN-rail, as well as on the wall, plus the clearly visible status LEDs provide simple monitoring of port link activity. It also features Link Fault Pass Through in order to alert remote location when link status changes.

Key Features

- 10/100BaseT to 100Base-FX
- Rugged aluminium case design in a mini size form factor
- 18V-36VAC & 12V-60VDC with polarity protection
- Link Fault Pass through (LFP) function
- Supports switch and pure converter mode
- Surge & ESD protection
- Maximum noise & interference immunity
- -40°C to 75°C (-40°F to 167°F) operating temperature range
- DIN-Rail or panel mount installation

Specifications

System Specifications

Connectors and Cabling:

Ethernet Port: 10/100Mbps RJ45

- Auto Speed negotiation
- Auto MDI/MDI-X
- Full/Half Duplex

Fibre Port: 100Base-X SC MM

Wavelength(nm):

2KM

Indicator:

Power, Speed (TP), Link / Act (TP & Fibre)

Transmission Method:

Store and forward (Default) pass through

Power:



Power Consumption: 1.44W
Power Input:
12 to 60VDC or 18 to 36VAC (Terminal Block)
Dual power input capable (Redundancy)

Standards & Protocols:

IEEE 802.3 10-BASE-T, Ethernet
IEEE 802.3u 100-BASE-TX, Fast Ethernet
IEEE 802.3u 100-BASE-FX, Fast Ethernet
IEEE 802.3x Flow Control and Back Pressure

Features

General:

DIP Switch:
Link Fault Pass Through (LFP) Enable / Disable
Switch Converter / Pure Converter mode

Performance

Operating Distance:
2KM

Environment

Temperature (°C):
Storage: -40 ~75 °C
Operating: -40 ~ 75 °C

Humidity (Non-condensing):
5 ~ 95 %

Physical Specifications

Dimensions (W x D x H mm):
59 x 49 x 36mm

Weight (g):
gross weight 260g, Net weight 90g

Others

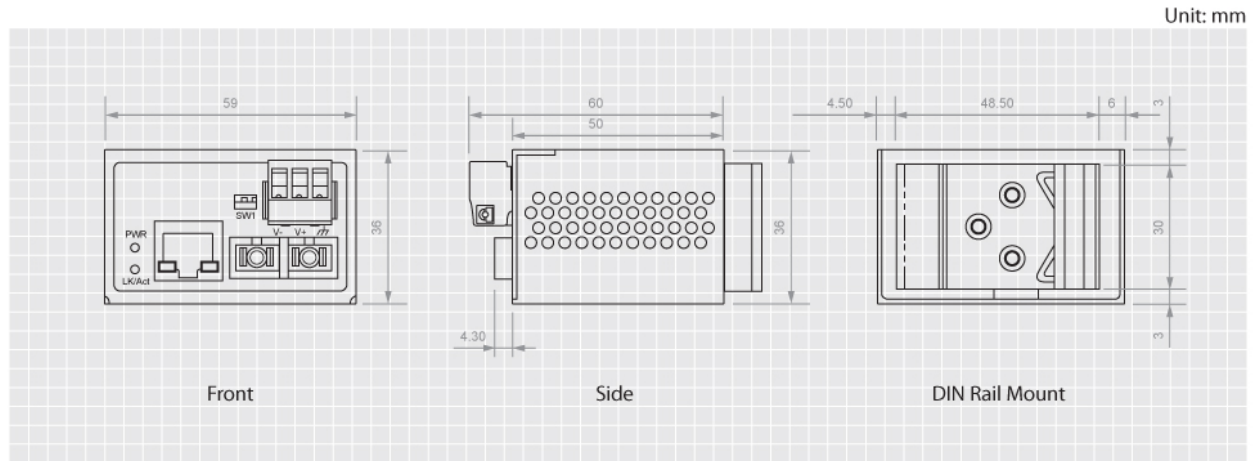
Approval and Compliance:

FCC Part 15 Subpart B Class A
CE EN 55022 Class A
FCC Part 15 Subpart B Class A,
CE EN 55022 Class A
EN61000-4-2 (ESD) Level 3
EN61000-4-3 (RS) Level 2
EN61000-4-4 (EFT) Level 2
EN61000-4-5 (Surge) Level 2
EN61000-4-6 (CS) Level 2
EN 61000-4-8 (PFMF) Level 1
UL508 (Pending)
EN 50121-4 (Pending)
IEC 60068-2-27
IEC 60068-2-32
IEC 60068-2-6
RoHS / REACH

Deployment:

Desk, wall and chassis mounted

Diagram



Order Information

IEC-4001

Package Contents

Quick Installation Guide



All mentioned brand names are registered trademarks and property of their owners.
Copyright © Digital Data Communications GmbH, Germany. All Rights Reserved.