

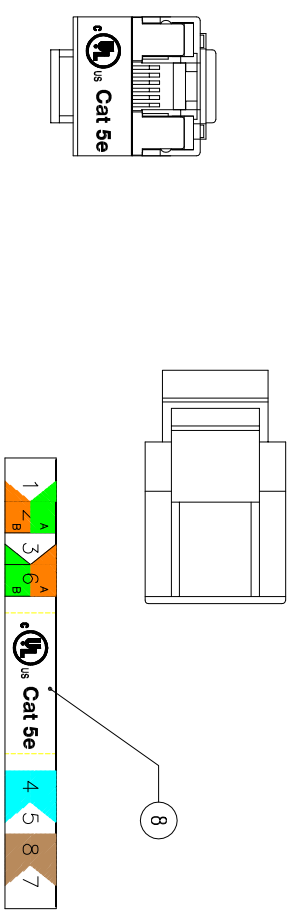
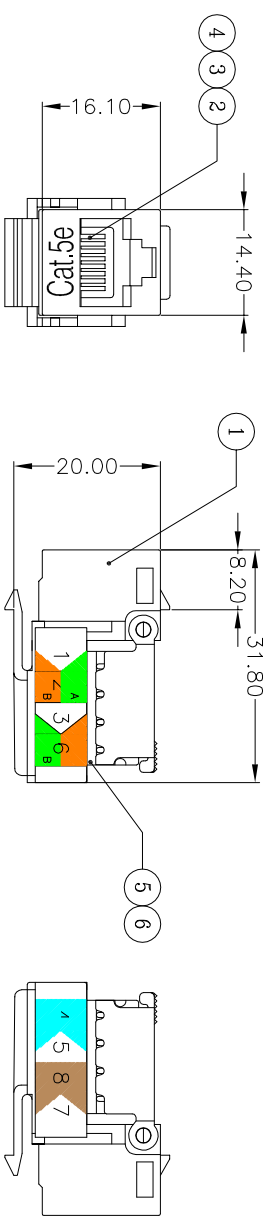
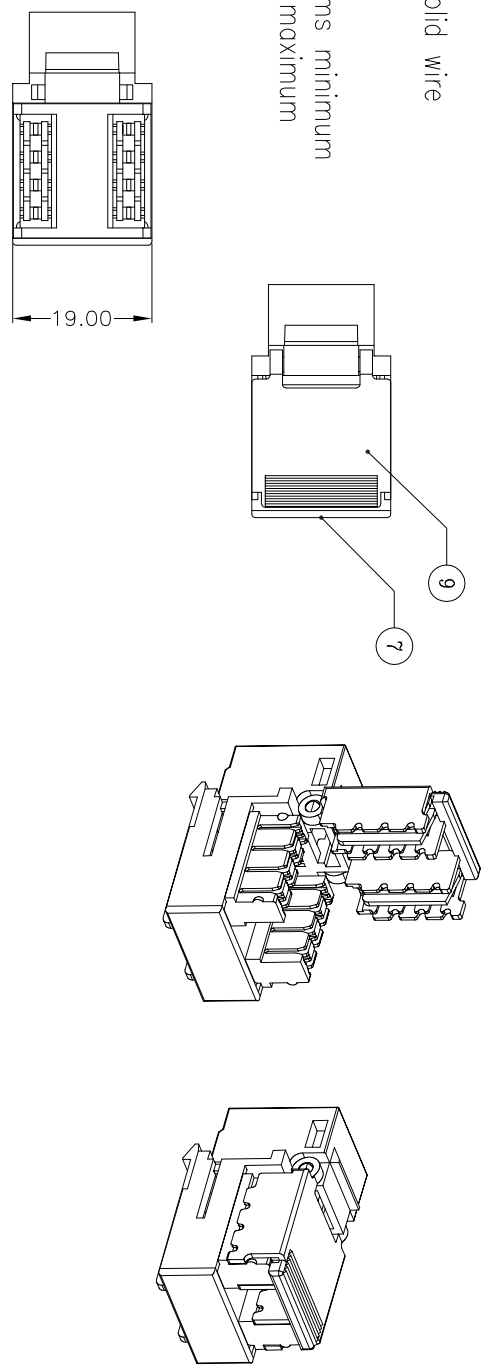
FILE NO. _____

Mechanical:

Insertion: 750 cycles min
 IDC connector accept 22-26 AWG solid wire

Electrical:

Current Rating: 1.5 Amps
 Insulation resistance: 500 million ohms minimum
 Contact resistance: 20 million ohms maximum
 DC resistance: 0.1 ohms maximum



PIN ASSIGNMENTS		T568A	T568B
1	WHITE/GREEN	WHITE/ORANGE	
2	GREEN	ORANGE	
3	WHITE/ORANGE	WHITE/GREEN	
4	BLUE	BLUE	
5	WHITE/BLUE	WHITE/BLUE	
6	ORANGE	GREEN	
7	WHITE/BROWN	WHITE/BROWN	
8	BROWN	BROWN	

10	ZIPPER BAG	1	75mm X 82mm X 0.05mm	
9	CAP	2	PC UL94V-0 or EQUIVALENCE	
8	COLOR CODE STICKER	1	PVC 62mm X 7mm	
7	COVER	1	ABS UL94V-0 or EQUIVALENCE	
6	NEW IDC HOUSING	1	PC UL94V-0 or EQUIVALENCE	
5	IDC TERMINAL	8	PHOSPHORUS BRONZE ALLOY	
4	INSERT HOUSING	1	PBT,UL94V-0,BLACK	
3	SPRING WIRE	8	PHOSPHORUS BRONZE ALLOY GOLD PLATING AND NICKEL PLATING	
2	P.C.B.	1	FR-4,UL94V-0	
1	JACK HOUSING	1	PC UL94V-0 or EQUIVALENCE	
NO.	NAME	Q'TY	MATERIAL	NOTE

UNIT: mm TOLERANCE: ±0.25, ±0.1, ±0.05 ANGLES: ±1°

TITLE: Cat.5e Toolless Keystone Jack

DWG NO: 28-3322-XX

SCALE: 1/1 SHEET 1 of 1 REVISION DATE

DRAWN: Stephen-Lin DATE: Nov/01/2005
 CHECKED: Max-Hou DATE: 03/29/2011
 APPROVED: DATE:

LANTAC Electronics Co.