



# EC PS/2 series

Cost effective single rail 17"/19" LCD console with 8 / 16 ports PS/2 KVM switch

EC PS/2 series provides more competitive price and more flexible combination. It keeps all original characteristic of single rail LCD console, easy to install and use. It saves cost and strengthens your competitive ability. With built-in 8 / 16 ports PS/2 KVM switch, you can control 8 / 16 platforms and easily expand the connections up to 8 levels with the combination of KVM switch boxes.



## Features

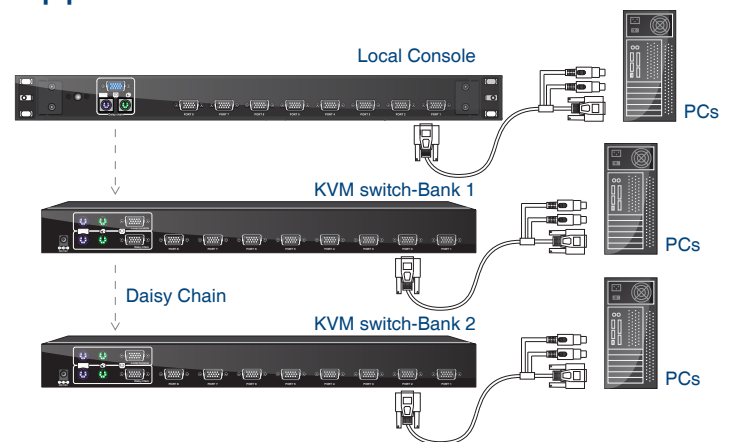
- Cost effective LCD console
- Single rail easy to install and use
- Integration 8 / 16 ports PS/2 KVM switch
- International keyboards for optional
- Bright Active Matrix TFT display
- OSD function (On Screen Display) for LCD display

## Options

Color (Black / Beige / OEM color)

Signal cable 1.8m / 3.0m / 5.0m

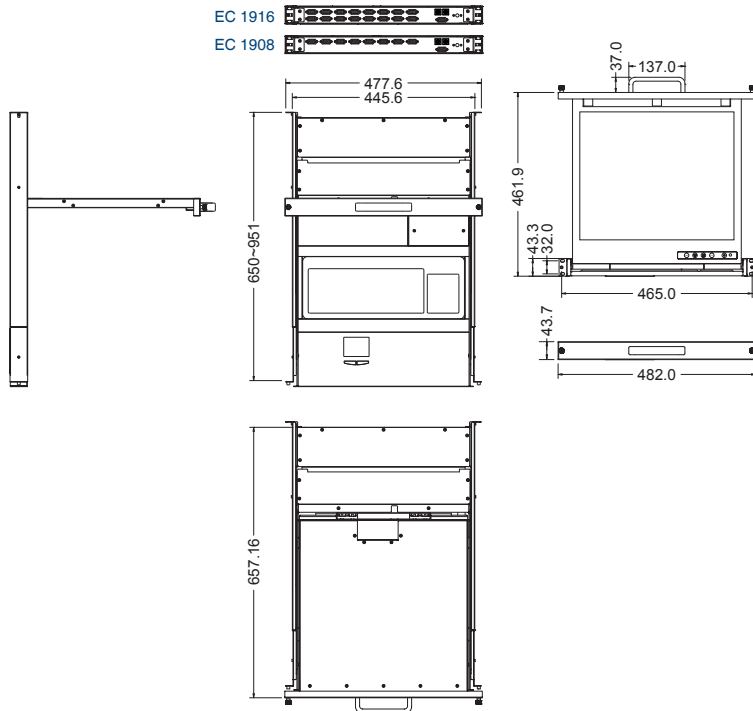
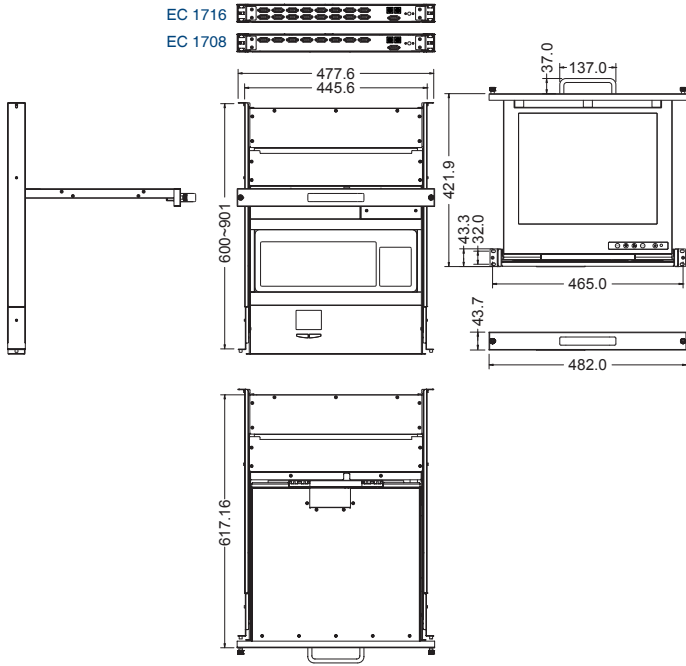
## Application



## Specification

Model Name	EC 1708 / EC 1716	EC 1908 / EC 1916
System Connections	8 / 16	8 / 16
Dimension	617.16 x 445.6 x 43.7 mm / 24.3 x 17.5 x 1.7 inches	657.16 x 445.6 x 43.7 mm / 25.9 x 17.5 x 1.7 inches
Display Size	17 inches	19 inches
Power Consumption	25 W, 19.05 W for Panel	25 W, 21.05 W for Panel
Resolution Capabilities	Maximum Resolution up to 1280 x 1024 (SXGA)	Maximum Resolution up to 1280 x 1024 (SXGA)
Pixel Pitch	Supports 0.264 mm x 0.264 mm	Supports 0.264 mm x 0.264 mm
Active Display Area	Horizontal: 337.920 mm, Vertical: 270.336 mm	Horizontal: 376.320 mm, Vertical: 301.056 mm
Viewing Angle (CR $\geq$ 10)	Right-Left view 170° (Typ) Up-Down View 160° (Typ)	Right-Left view 170° (Typ) Up-Down View 160° (Typ)
Contrast Ratio	1000 : 1	1000 : 1
Brightness	White 250 cd/m <sup>2</sup> (Center 1 point Typ)	White 250 cd/m <sup>2</sup> (Center 1 point Typ)
Back Light	Dual Lamps for Back Light	Dual Lamps for Back Light
Supported Colors	16.7M Colors (8-bit with FRC)	16.7M Colors (8-bit with FRC)
Response Time	Rise Time 1.2 ms, Decay Time 3.8 ms	Rise Time 1.3 ms, Decay Time 3.7 ms
Operating System	Dos, Win3.x, Win95/98/98SE/2000/ME/XP/Vista, WinNT, Netware, HP Unix, Linux	
Signal Cables	KC-1501C	
Keyboard Mouse	105 key keyboard with touch pad	
Sync	45 ~ 80 KHz	
Power Source	100 ~ 240 VAC input	
Panel Type	Active Matrix TFT LCD	
Temperature	Operate 0 ~ 50 °C / 32 ~ 122 °F Storage -20 ~ 60 °C / -4 ~ 140 °F	
Humidity	10% ~ 90% RH	
Chassis Construction	Heavy duty steel materials	
Keyboard Language	US, UK, German, French, Russian	

## Dimension



## Specification

PS/2 KVM Switc	
Connector (All Female Types)	1 x VGA HDDB-15 pin 2 x PS/2 Mini Din 6 pin 8 x HDDB-15 pin for system connection 1 x DC Jack
Max. Distance (KVM switch -- Host)	5 m (16 feet)
Daisy Chain Port	Support Daisy Chain function with 8-layer Bus topologies
PC selection	On Screen Display (OSD) Menu, Hot Key
Security	Provide ACL (Access Control List) security function, store up to 8 independent controllable PC lists