

# Panel PC

## PPC 10

### 10.4" Touch Panel PC

#### Features

- 10.4" TFT LCD with SCT touch panel
- Touch panel coating is ATO/ITO 9H
- The AMD® RS780E chipset support AMD® ASB1 Single Core 210U 1.5GHz
- Support One 200 pin 667MHz DDR2 SDRAM SO-DIMMs (Max. 2GB)
- Support one compact flash type II
- Realtek RTL8111CP PCIe GbE Ethernet controllers

#### Specifications

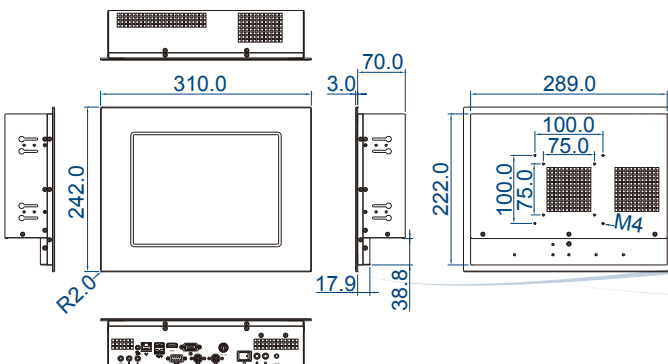
Model Name	PPC 10
Display Size	10.4 inches
Panel Type	TFT LCD
Resolution Capabilities	max. 800 x 600 (SVGA)
Active Area	211.2 mm(H) x 158.4 mm(V)
Pixel Pitch	0.264 mm x 0.264 mm
Contrast Ratio	700 : 1
Viewing Angle (CR>10)	Right-Left view 160° (Typ) Up-Down view 140° (Typ)
Brightness	400 cd/m <sup>2</sup>
Supported Colors	262K (6-bits) / 16.2M (RGB 8-bits)
Response Time	Rising time 20 ms, Falling time 10 ms
Touch Panel	SCT
Touch Panel Coating	ATO/ITO 9H
CPU	AMD® ASB1 Single Core 210U 1.5GHz
Cipset	AMD® RS780E
Memory	1 x 200 pin 667MHz DDR2 SDRAM SO-DIMMs supported (Max. 2GB)
Ethernet	Realtek RTL8111CP PCIe GbE
Audio	Realtek ALC888 High Definition Audio CODEC



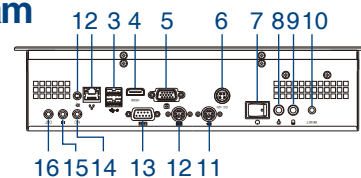
Expansion Slot	1 x Compact flash type II (Internal)
HDD	Support one 2.5" HDD (Internal)
I/O Connectors	<ul style="list-style-type: none"> <li>▪ 1 x D-Sub 15-pins VGA connector</li> <li>▪ 1 x HDMI</li> <li>▪ 1 x D-Sub 9-pins serial port</li> <li>▪ 1 x RJ-45 Ethernet</li> <li>▪ 2 x USB2.0</li> <li>▪ 1 x PS/2 (mouse)</li> <li>▪ 1 x PS/2 (Keyboard)</li> <li>▪ 1 x 3.5mm audio in</li> <li>▪ 2 x 3.5mm audio out</li> <li>▪ 1 x 3.5mm microphone</li> <li>▪ 1 x DC jack (12V)</li> </ul>
System Indicators	<ul style="list-style-type: none"> <li>▪ 1 x Power on</li> <li>▪ 1 x Hard drive access</li> </ul>
System Switches	<ul style="list-style-type: none"> <li>▪ 1 x Power on /off switch</li> <li>▪ 1 x Reset button</li> </ul>
Power Consumption	40 W
Power Requirement	12 VDC
Dimension	310 x 242 x 73 mm / 12.2 x 9.5 x 2.9 inches
Net Weight	3.6 Kg / 7.9 lb

#### Mechanical Dimension

W x L x H = 310 x 242 x 73 mm / 12.2 x 9.5 x 2.9 inches



#### I/O Diagram



- |                           |                                |
|---------------------------|--------------------------------|
| 1. 3.5mm audion out       | 9. Hard drive access indicator |
| 2. RJ-45 x 1              | 10. Reset button               |
| 3. USB2.0 x 2             | 11. PS/2 (mouse)               |
| 4. HDMI port              | 12. PS/2 (keyboard)            |
| 5. D-Sub 15-pins VGA port | 13. D-Sub 9-pins serial port   |
| 6. DC jack                | 14. 3.5mm microphone           |
| 7. Power on/off switch    | 15. 3.5mm audion in            |
| 8. Power indicator        | 16. 3.5mm audio out            |