



## 24GE PoE with 4 Combo Dual Speed SFP Smart Switch



GEP-2450

H/W Version: 1

LevelOne GEP-2450 is a cost-effective Web Smart PoE Switch that equipped with 24 10/100/1000Base-T PoE ports and 4 combo dual speed SFP ports. It is IEEE802.3af compliant and also offers advanced PoE Manageability features which include PoE Status, PoE Scheduling, PoE Power Delay and PoE Live Checking.

The switch can be managed through Web browser, and allow the network administrator to monitor, configure and control each port's activity.

In addition, the switch implements the QoS (Quality of Service), Port Mirror, VLAN, LACP, LAN security, Multicasting video stream protocol, and SNMP v2c. It is suitable for SMB application.

The switch supports the Power saving for reduce the power consumption which could efficient saving the switch power with auto detect the client idle and cable length to provide different power.



1. LED Indicator
2. 10/100/1000Base-T RJ-45 Ports
3. 100/1000Base Combo SFP Slots
4. AC Power Socket

### Key Features

- 4 Dual Speed Combo SFP for flexible fiber connection
- IEEE 802.3af compliant and PoE Manageability for power control enhancement
- IEEE 802.1x Access Control to improve network security
- Port Mirroring helps supervisor network maintenance
- IEEE802.1Q tag-based and port-based VLAN
- IEEE 802.1d and 802.1w Spanning Tree
- Supports Unknown Unicast / Broadcast / Multicast Storm Control
- Supports Port Trunk and QoS for traffic control
- Supports IGMP Snooping function for IP multicast
- Saves power with LevelOne Green Technology

### Related Products



#### GSW-2693

24 FE PoE + 2 GE  
with 2 Combo SFP  
L2 Managed Switch



#### FGP-2472

24 FE PoE + 2 GE  
with 2 Combo SFP  
L2 Managed Switch

## Technical Specifications

### Standard compliance

IEEE 802.3 10Base-T Ethernet  
 IEEE 802.3u 100Base-TX Fast Ethernet  
 IEEE 802.3ab 1000Base-T Ethernet  
 IEEE 802.3z 1000Base-X Ethernet  
 IEEE 802.3x flow control capability  
 IEEE 802.3ad Port trunk with LACP  
 IEEE 802.1Q VLAN  
 IEEE 802.1D/1w STP/RSTP  
 IEEE 802.3af PoE Standard  
 RoHS Compliance

### Interface

24 Gigabit Ethernet PoE ports  
 Port 21,22,23,24 are TP/ (100/1000M) SFP Fiber auto sense

### Performance

48Gbps forwarding bandwidth for switch, non-blocking switch fabric  
 Wire speed performance  
 8 K MAC addresses  
 500 KB on-chip frame buffer  
 Jumbo frame support to 9600 bytes  
 Backpressure flow control for half duplex.  
 802.3x flow control for full duplex.

### VLAN

Port-base VLAN  
 IEEE802.1Q tag-base VLAN, up to 24 active VLANs  
 In tag-base VLAN, supports egress/ingress packet filter  
 Provides Multicast VLAN for DVB application

### QoS

Supports port based, Tag based, IPv4 ToS and DSCP  
 Supports 802.1p QoS with four level priority queue  
 Supports two scheduling, WRR and Strict

### Bandwidth Control

Supports bandwidth rating per port ingress and egress rate limit 1000Mbps with 1Mbps increment

### LACP/Port Trunk

Port trunking with 12 trunking groups  
 Up to 12 ports for each group

### Broadcast Storm

Multicast/Broadcast/Unknown-Unicast Storm suppression

### Port Mirroring

Support 1: N RX port mirroring  
 Supports port sniffer function with RX Monitor Mode

### Software Upgrade

Supports firmware upgrade via web GUI

### 802.1x network access security

Provides multi-host authentication based on port-based  
 Provides MAC based authentication with Radius server

### SNMPv1, v2c Network Management

MIB II(RFC1213)  
 Bridge MIB(RFC1493)  
 Interface Group MIB(RFC 2863)

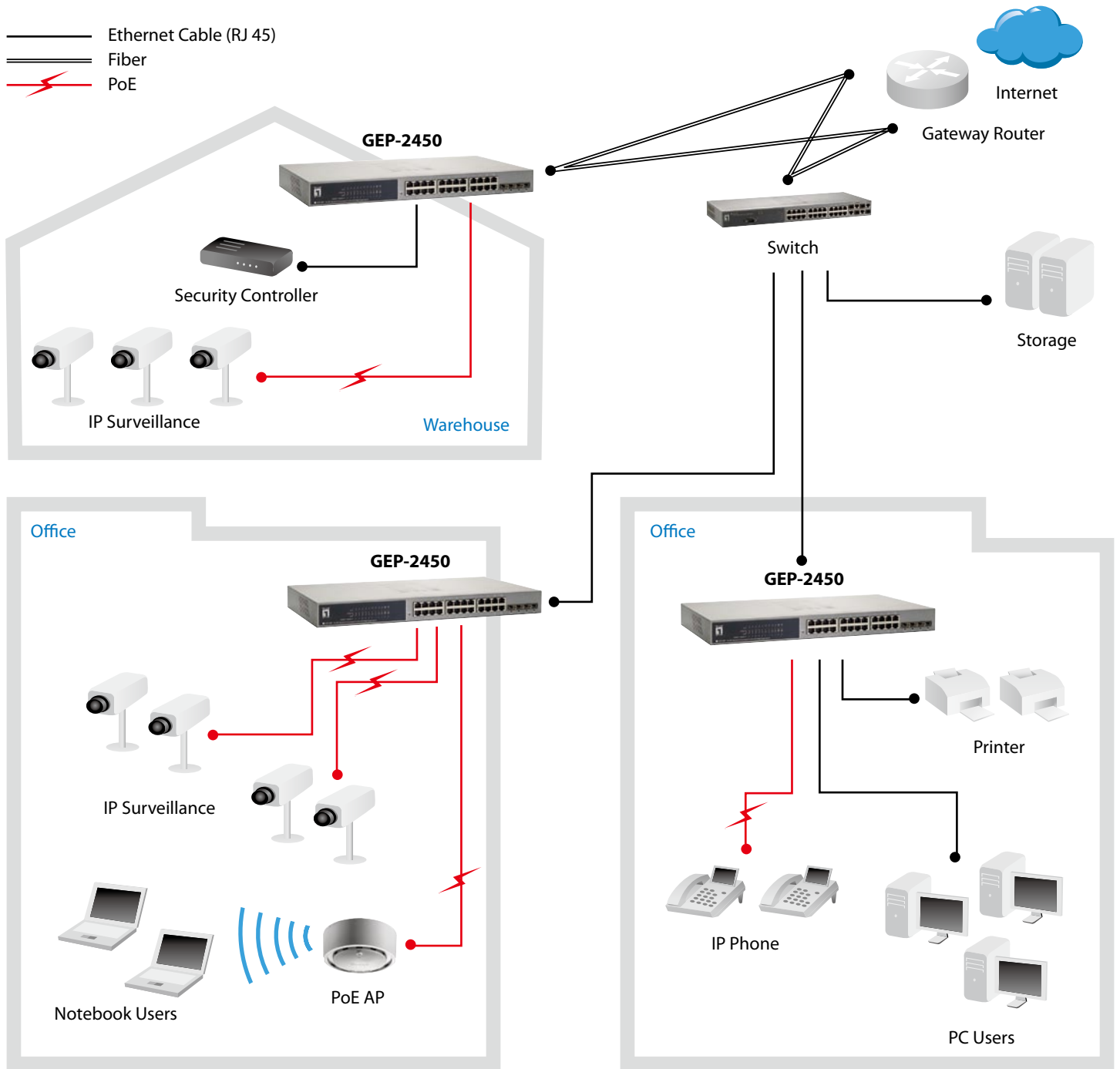
### PoE Features

Supports IEEE 802.3af compliant  
 Supports Power over Ethernet (PSE) on each Gigabit UTP port  
 PoE Power Budget is 184.8w  
 Auto detect powered device and consumption levels  
 Smart feature as PoE Status, PoE Scheduling, PoE Power Delay and PoE Live Checking  
 Circuit protection to prevent power interference between ports  
 Supports per port power priority setting

### Hardware Specification

Power Input : 100~240 V AC, 50-60 Hz  
 Power Consumption: 200W  
 Ambient Temperature : 0 to 40°C  
 Operating Humidity: 10% to 90%  
 Dimensions: 442(W) x 209(D) x 44(H) mm  
 Certification: Comply with FCC Part 15 Class A & CE Mark

## Product Diagram



## Order Information

### Package Contents

**GEP-2450:** 24GE PoE with 4 Combo Dual Speed SFP Smart Switch

- GEP-2450
- Power Cord
- Rack-Mount Kit
- CD Manual

## Optional Accessories



**GVT-0300**  
1.25Gbps SFP Transceiver,  
Duplex LC connector (550m)



**GVT-0301**  
1.25Gbps SFP Transceiver,  
Duplex LC connector (10km)



**GVT-0302**  
1.25Gbps SFP Transceiver,  
Duplex LC connector (80km)



**SFP-3001**  
1.25Gbps SFP Transceiver,  
Duplex LC connector (550m)



**SFP-3211**  
1.25Gbps SFP Transceiver,  
Duplex LC connector (10km)



**SFP-3611**  
1.25Gbps SFP Transceiver,  
Duplex LC connector (80km)



**SFP-3111**  
1.25Gbps SFP Transceiver,  
Duplex LC connector, MLX  
(2km)



**SFP-3411**  
1.25Gbps SFP Transceiver, SM,  
EZ, Duplex LC connector  
(120km)



**SFP-3711**  
1.25Gbps SFP Transceiver,  
SM, EZ, Duplex LC  
connector (120km)



**SFP-9221**  
1.25G BIDI, (SM 10km  
1310/1550), Simplex LC



**SFP-9231**  
1.25G BIDI, (SM 10km  
1550/1310), Simplex LC



**SFP-9321**  
1.25G BIDI, (SM 20km  
1310/1550), Simplex LC



**SFP-9331**  
1.25G BIDI, (SM 20km  
1550/1310), Simplex LC



**SFP-9421**  
1.25G BIDI, (SM 40km  
1310/1550), Simplex LC



**SFP-9431**  
1.25G BIDI, (SM 40km  
1550/1310), Simplex LC